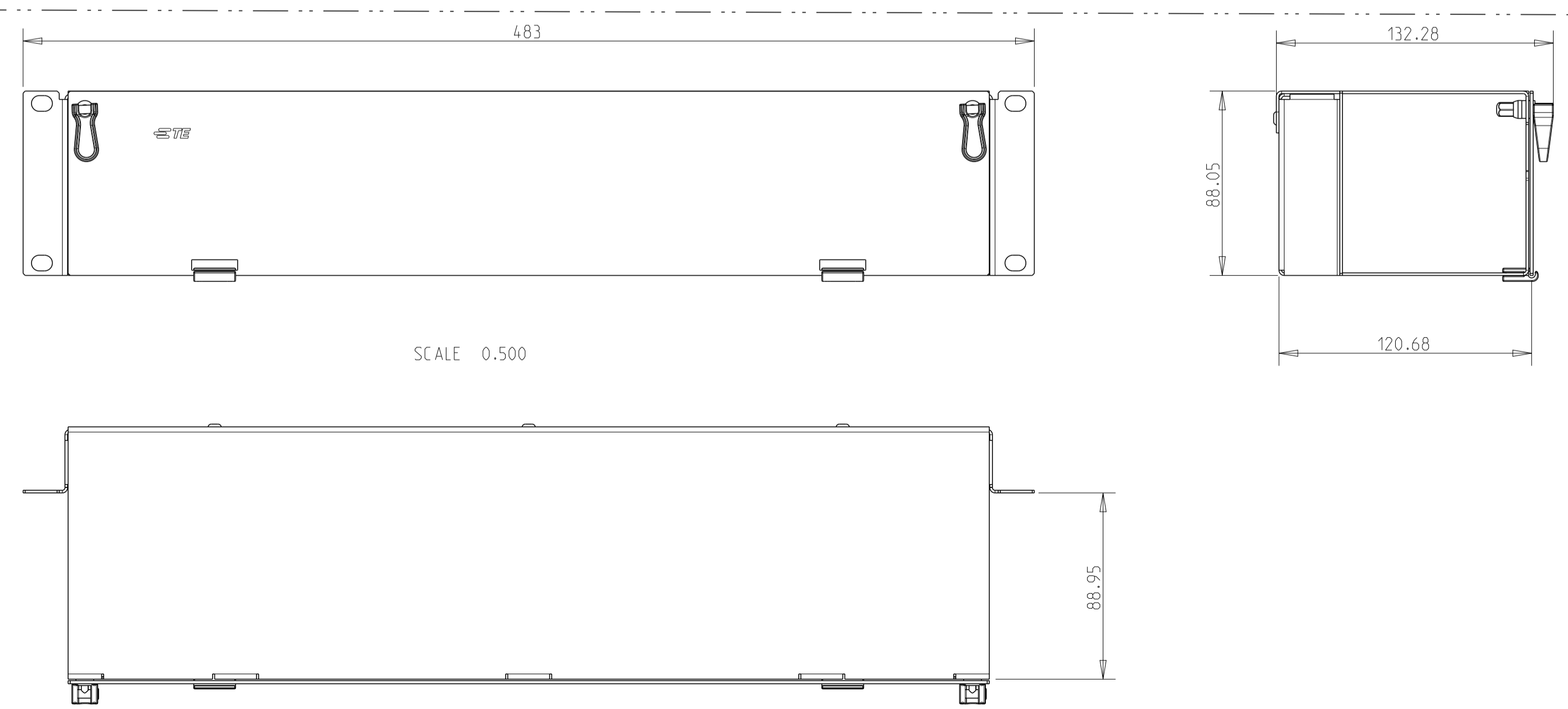
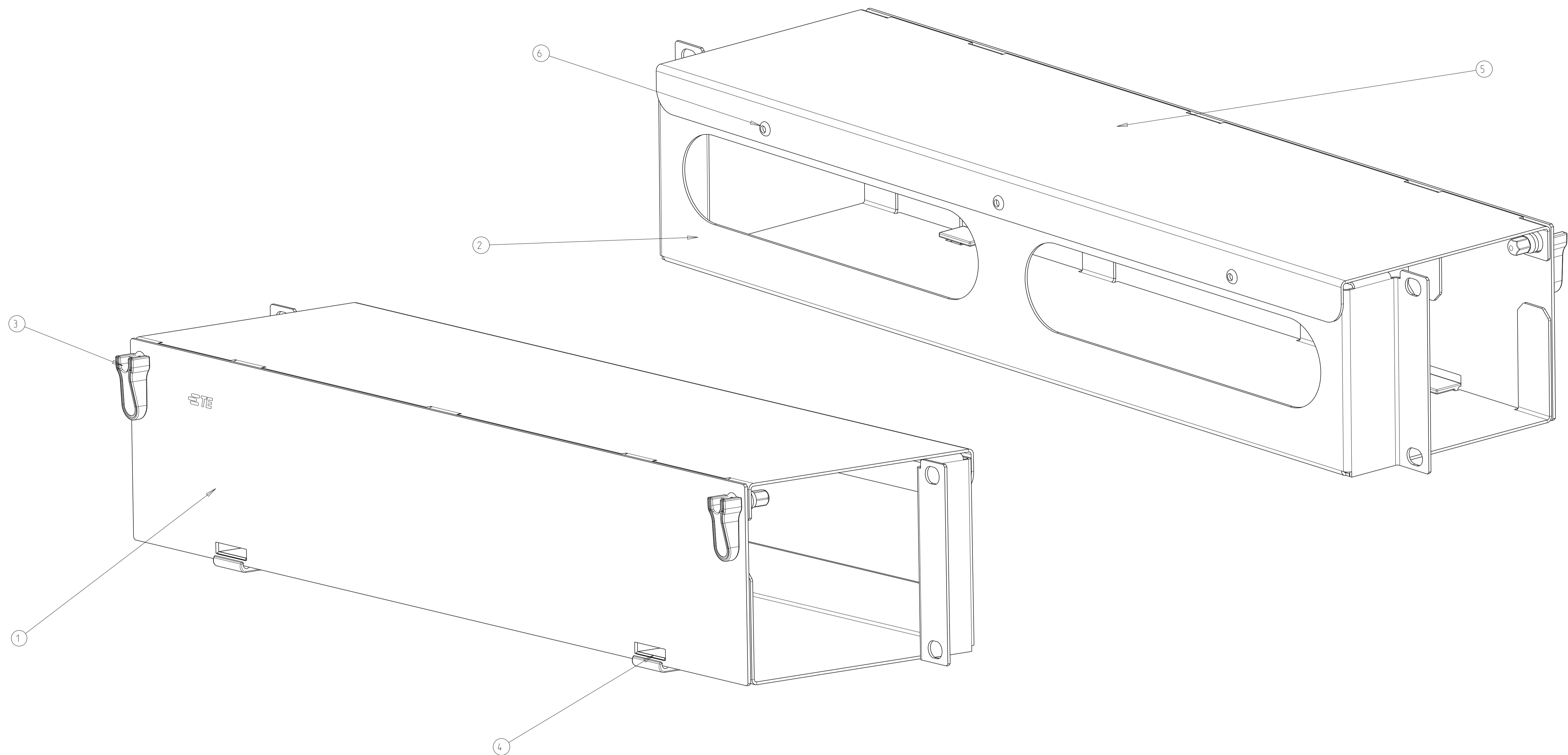


LOC		DIST		REVISIONS			
P	LTN	DESCRIPTION	DATE	DWN	APVD		
F		ECR-13-001701	29JAN2013	HB	DT		



QTY	DESCRIPTION	ITEM
1	LABEL	7
3	Rivet. 3.2 Body OD. 8 long. 3.5 - 5 gr	6
1	Hi-D 2U Pass-through duct - top	5
2	Plastic hinge for sub-rack	4
2	Swell latch	3
1	Hi-D 2U Pass-through duct - body	2
1	Hi-D 2U Pass-through duct - cover	1

THIS DRAWING IS A CONTROLLED DOCUMENT.

DIMENSIONS:	TOLERANCES UNLESS OTHERWISE SPECIFIED:	DWN	W. DE VIS	30NOV2009
mm	0 PLC	CHK	H. BLEUS	30NOV2009
	1 PLC	APVD	D. THUIS	30NOV2009
	2 PLC	PRODUCT SPEC		
	3 PLC	APPLICATION SPEC		
	4 PLC	WEIGHT		
ANGLES	FINISH	CUSTOMER DRAWING		

NAME: Hi-D 2U Pass through duct

SIZE: A1 CAGE CODE: 00779 DRAWING NO: 1671080-C

SCALE: 1.000 SHEET: 1 OF 1 REV: F