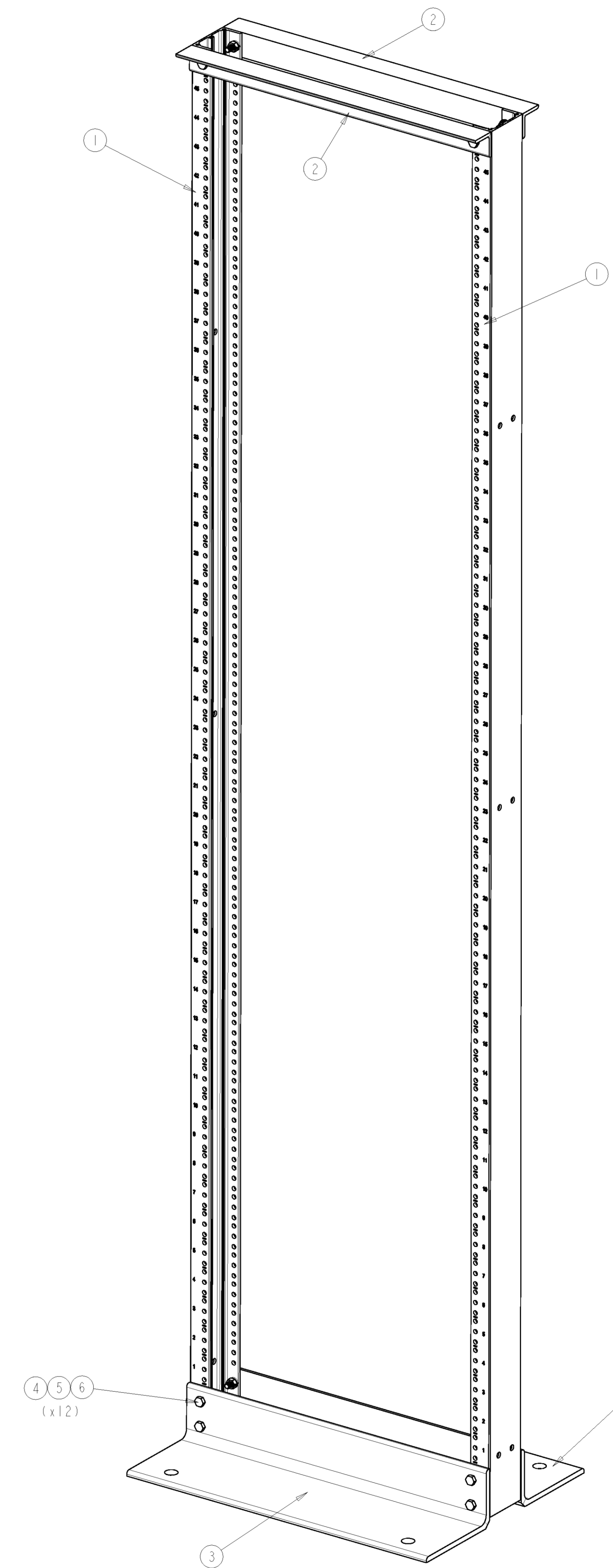
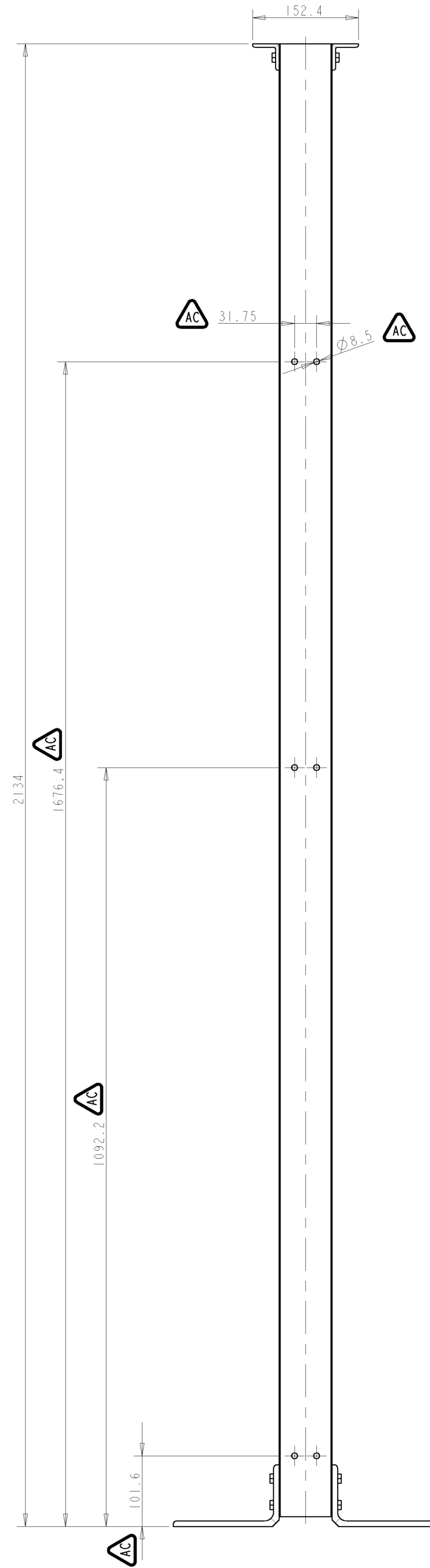
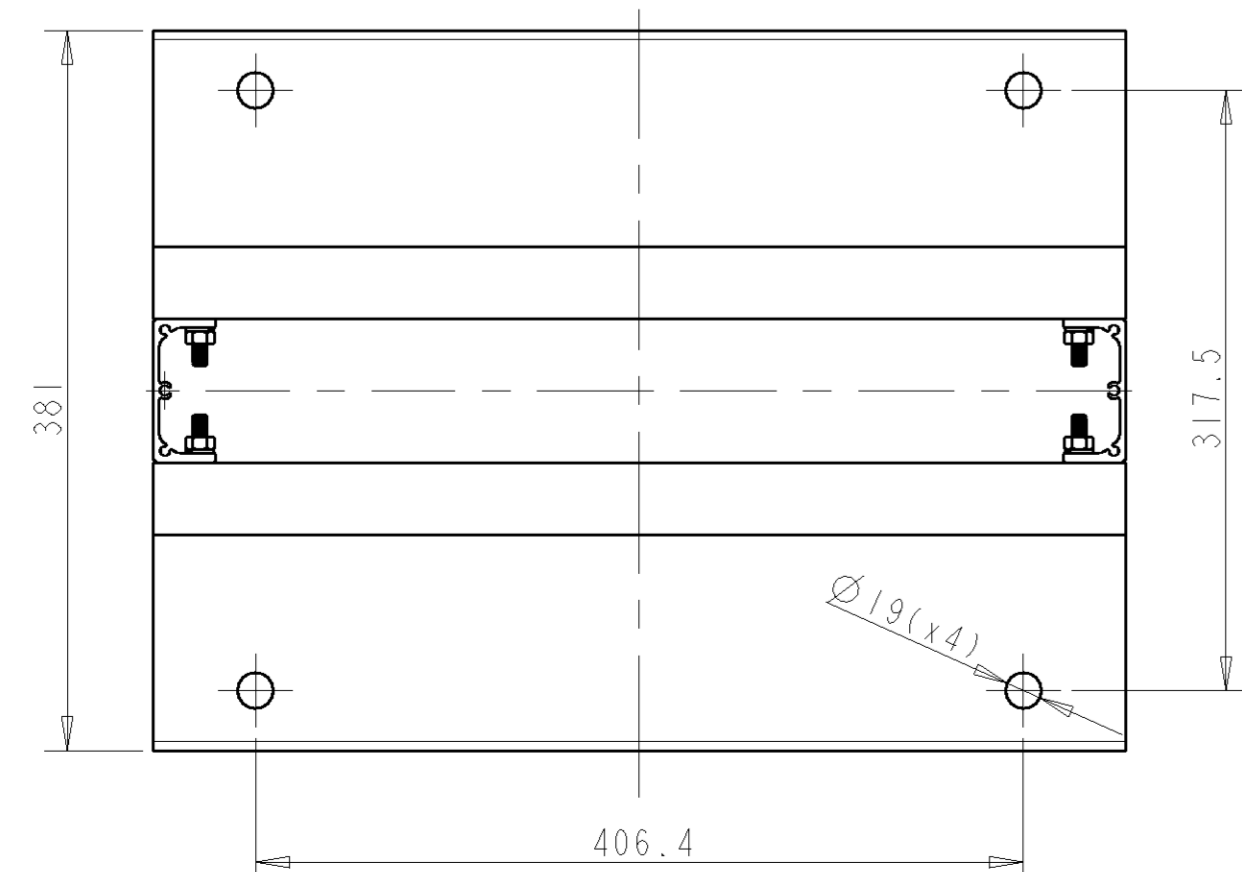
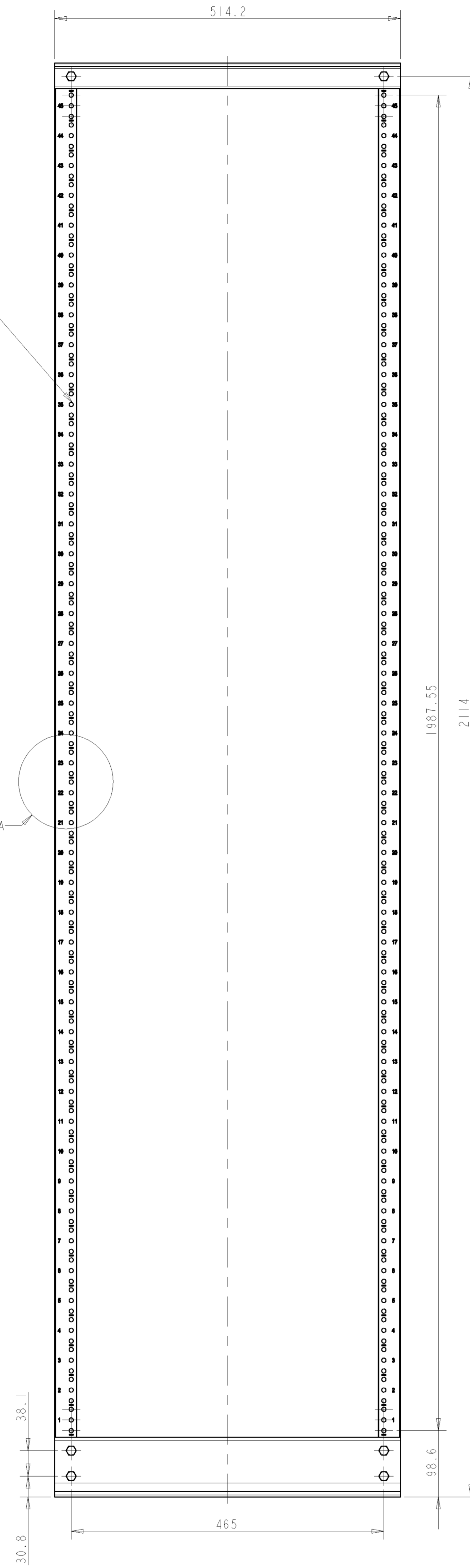


STD. EIA PATTERN
[5/8" - 5/8" - 1/2"]
(45 mounting spaces)

DETAIL A
SCALE 1:1.000

SEE DETAIL A



NOTE:
LOOSE COMPONENTS PACKED INTO PLASTIC BAG.

12	12	Spring Lock Washer DIN127B M8	6
12	12	Hexagon nut DIN934 M8	5
12	12	Screw DIN933 M8x30	4
2	2	Hi-D Bottom Profile Alu Die	3
2	2	Hi-D Top Profile Alu Die	2
2	-	Hi-D Alu Die 2120mm UNC	1
-	2	Hi-D Alu Die 2120mm METRIC	1
1-2	1-1	DESCRIPTION	ITEM
QUANTITY			

CUSTOMER DRAWING AMP part N° : 1671106

REVISION DESCRIPTION: - Hole pattern changed.

DRAWING BY: H. BLEUS
DATE: 23-NOV-05

DRAWING REVISION BY: H. BLEUS
DATE: 04-OCT-07

VOLUME OF MOULDED PART OR AREA OF UNMOULDED SHEETMETAL PART: mm³ / mm²

SCALE: 0.250
DRAWING FORMAT: A0
TOLERANCE: GENERAL TOLERANCE IS 3965-1981

Hi-D CONNECT FRAME

DRAWING SHEET, REVISION NUMBER: D_0013593_01_AC
REVISION: AC

tygo Electronics Ruysschen W.V.
P-001P HESSEL-LOU, BELGIUM

THIS DRAWING AND INFORMATION SET FORTH HEREON ARE THE PROPERTY OF TYGO ELECTRONICS RUYSSCHEN W.V. AND ARE TO BE HELD IN TRUST AND CONFIDENCE. PUBLICATION, DUPLICATION, DISCLOSURE OR USE FOR ANY PURPOSE NOT EXPRESSLY AUTHORIZED IN WRITING BY TYGO ELECTRONICS IS PROHIBITED.