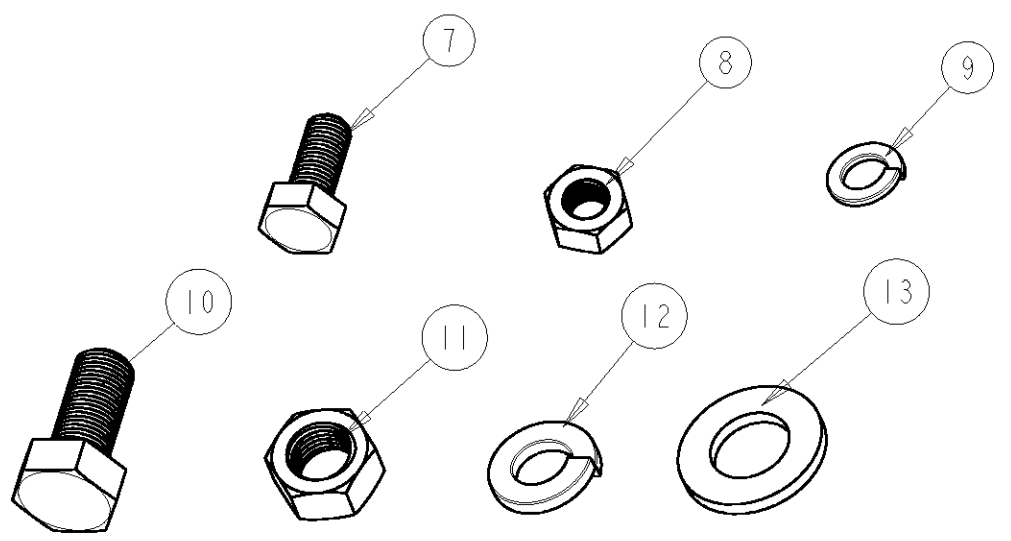


SCALE 0.100

SCALE 0.150

MOUNTING HARDWARE INCLUDED



PACKAGING INFORMATION
PACKAGING BY VENDOR (PACKED UNASSEMBLED)

	12	Washer Din 125-1A M10	13
	12	Spring Lock washer Din 127B M8	12
	12	Hexagon nut Din 934 M8	11
	12	Screw Din 933 M8x18	10
	20	Spring Lock washer Din 127B M6	9
	20	Hexagon nut Din 934 M6	8
	4	Screw Din 933 M6x14	7
	1	Hi-D 12" Door Assy	6
	1	Hi-D Door Support 12" Cable Duct BOTTOM	5
	1	Hi-D Door Support 12" Cable Duct TOP	4
	3	Hi-D Cable Mgmt Right 15U	3
	3	Hi-D Cable Mgmt Left 15U	2
	1	Hi-D 12" Duct	1
QTY	QTY	DESCRIPTION	ITEM

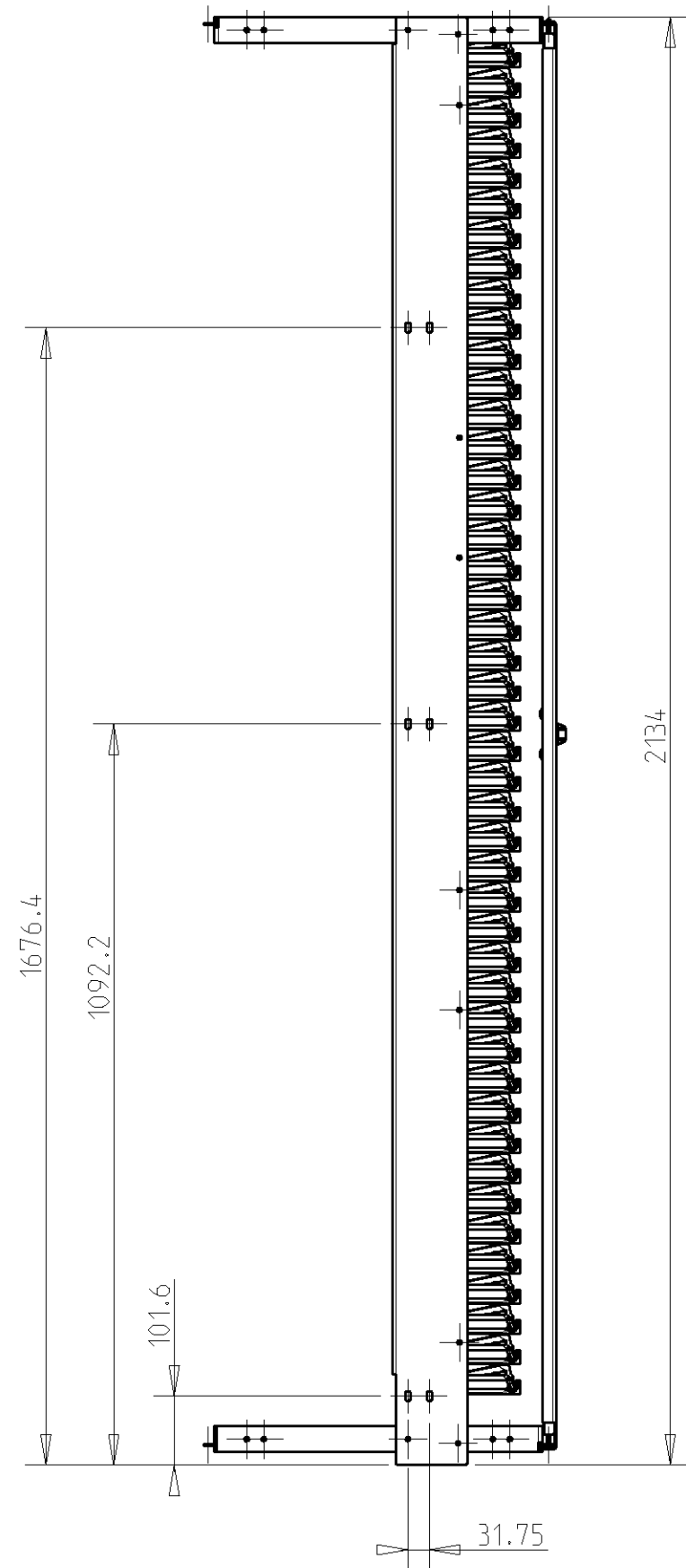
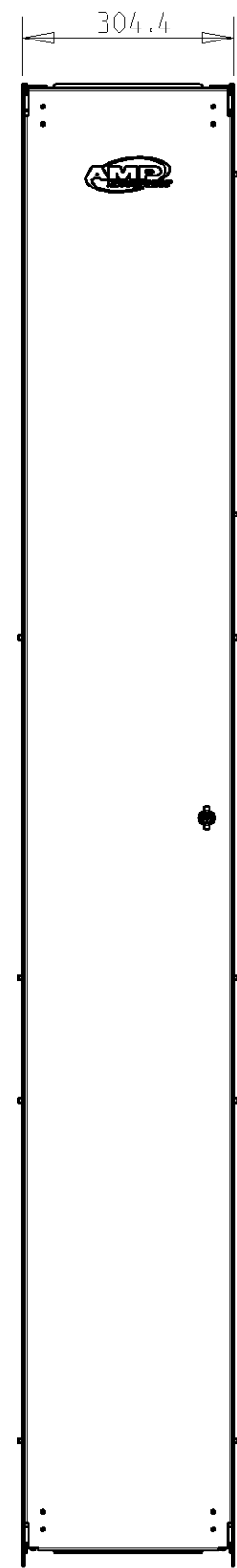
CUSTOMER DRAWING AMP part N° : 1671109

DRAWING STATUS	REVISION DESCRIPTION: - ALL PART NUMBERS SAME REVISION, OTHER DRW AND SHEET NUMBER		
RELEASED	DRAWING BY NAME: H. BLEUS DATE: 12-SEP-08	DRAWING REVISION BY NAME: - DATE: -	VOLUME in mm³ 32232565

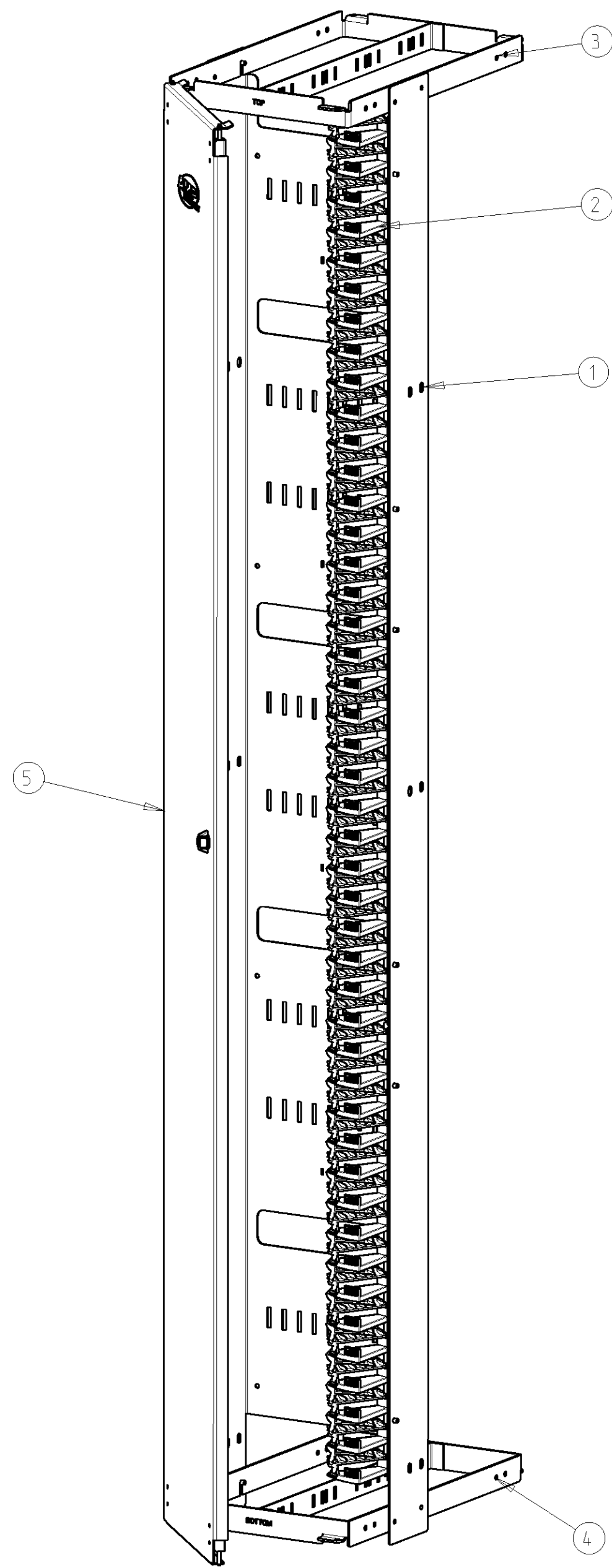
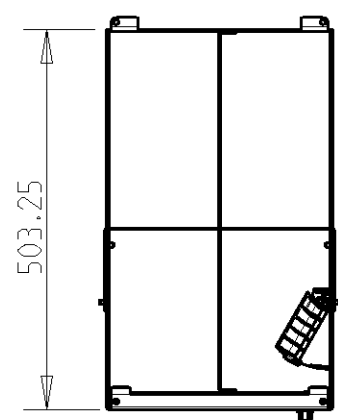
SCALE: 1000	DRAWING FORMAT A2	DRAWING TITLE	
ISO-SYMBOL	GENERAL TOLERANCE	Hi-D 12" DUCT (FRONT DOOR ONLY)	
		DRAWING SHEET REVISION NUMBER D_0014008_01.AF	REVISION AF

TYCO/Electronics - Raychem N.V.
DIESTSESTEENWEG 692
B-3010 KESSEL-LO, BELGIUM

THIS DRAWING AND INFORMATION SET FORTH HEREON ARE THE PROPERTY OF TYCO/Electronics/Raychem N.V. AND ARE TO BE HELD IN TRUST AND CONFIDENCE. PUBLICATION, DUPLICATION, DISCLOSURE OR USE FOR ANY PURPOSE NOT EXPRESSLY AUTHORIZED IN WRITING BY TYCO/Electronics IS PROHIBITED.

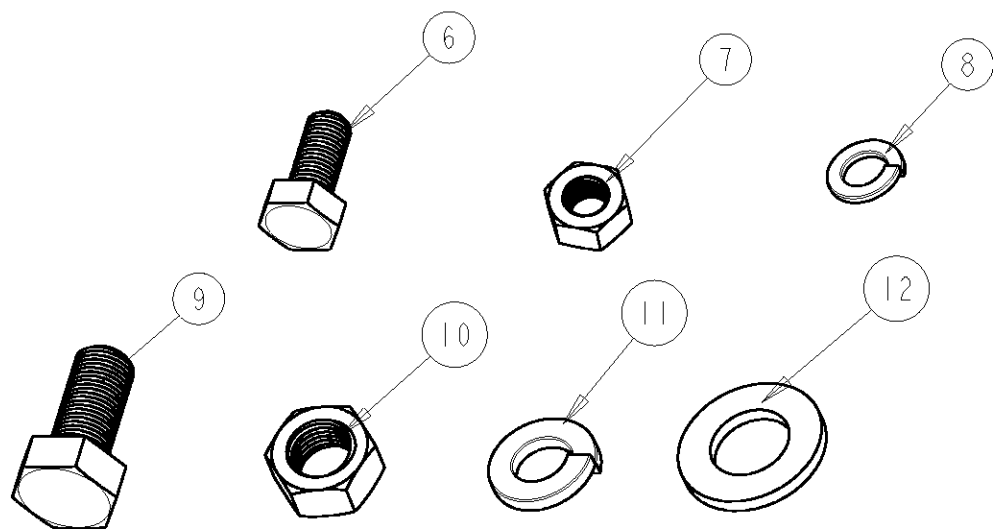


SCALE 0.100



SCALE 0.150

MOUNTING HARDWARE INCLUDED



PACKAGING INFORMATION
PACKAGING BY VENDOR (PACKED UNASSEMBLED)

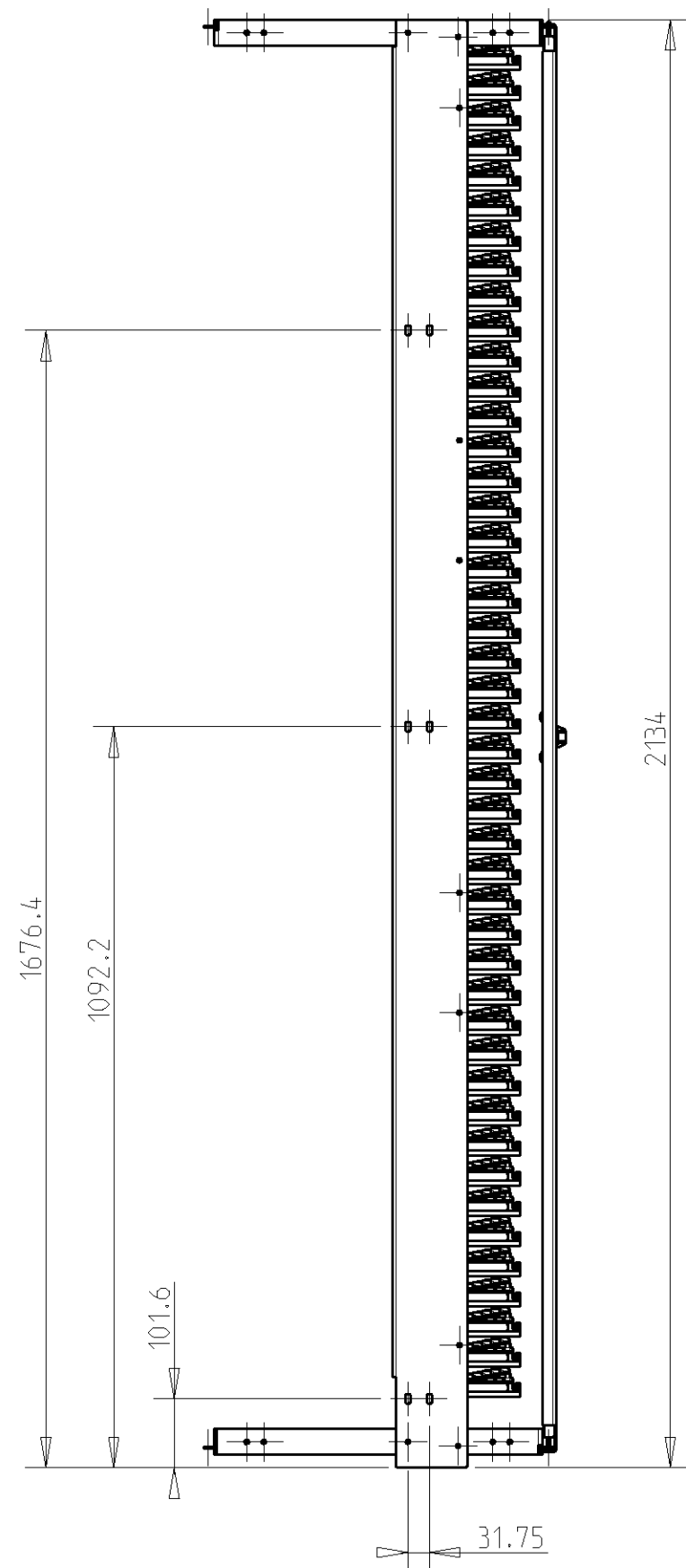
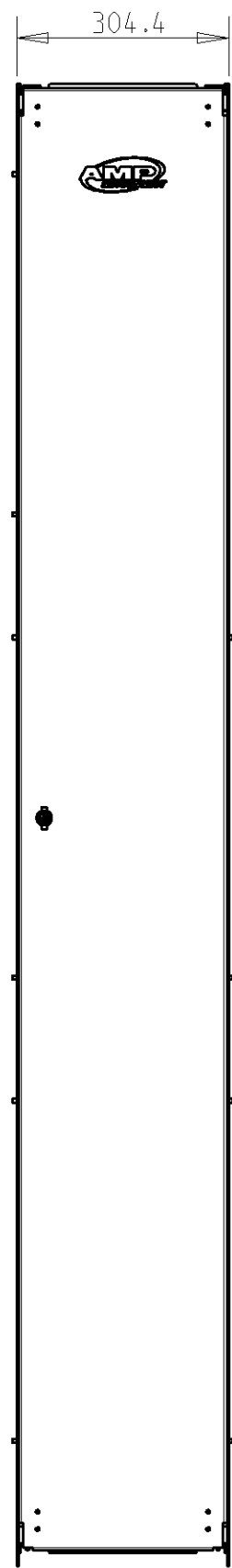
QTY	DESCRIPTION	ITEM
6	Washer Din 125-1A M10	12
6	Spring Lock washer Din 127B M8	11
6	Hexagon nut Din 934 M8	10
6	Screw Din 933 M8x18	9
14	Spring Lock washer Din 127B M6	8
14	Hexagon nut Din 934 M6	7
4	Screw Din 933 M6x14	6
1	Hi-D 12" Door Assy LEFT	5
1	Hi-D Door Support 12" Cable Duct BOTTOM	4
1	Hi-D Door Support 12" Cable Duct TOP	3
3	Hi-D Cable Mgmt Left 15U	2
1	Hi-D 12" Duct	1

CUSTOMER DRAWING AMP part N° : 1671109

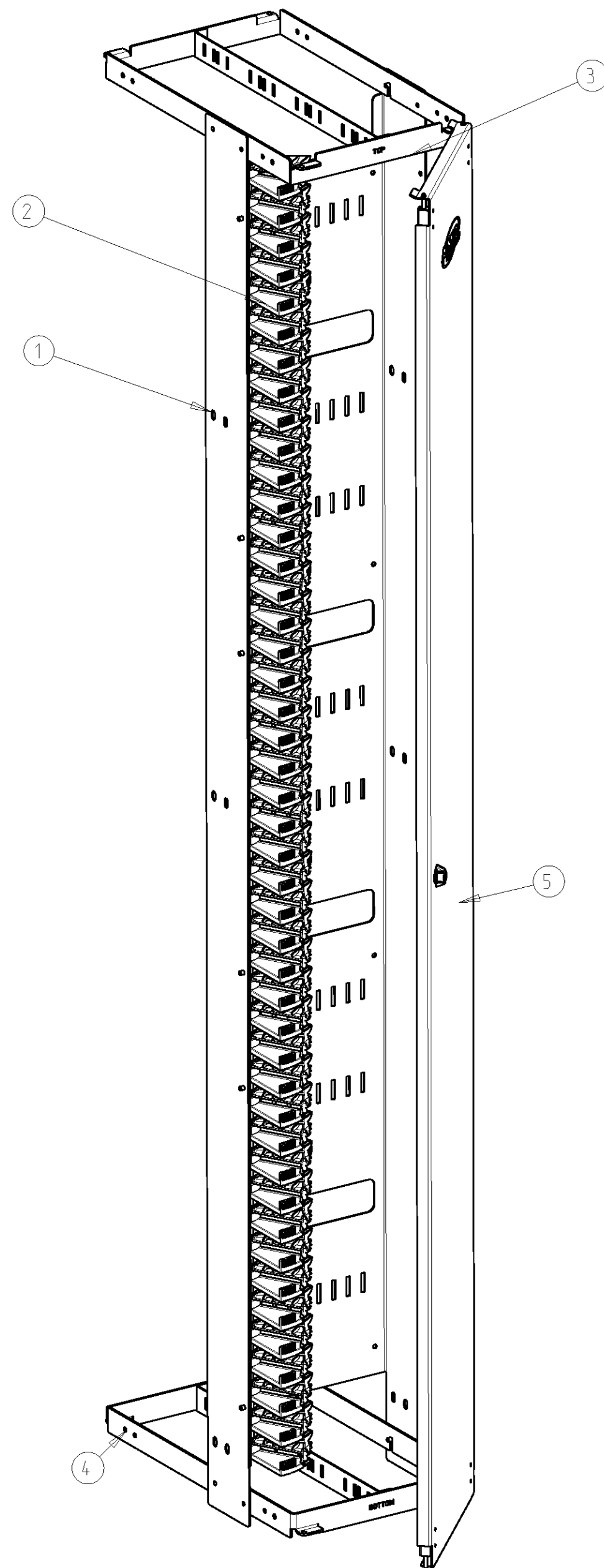
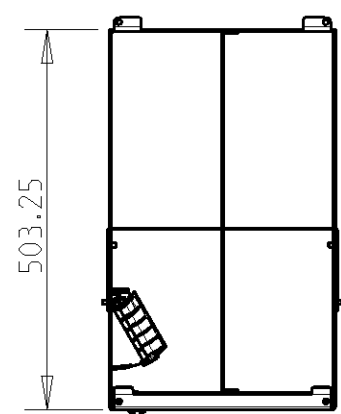
DRAWING STATUS	REVISION DESCRIPTION: - ALL PART NUMBERS SAME REVISION, OTHER SHEET NUMBER		
RELEASED	DRAWING BY NAME: H. BLEUS DATE: 12-SEP-08	DRAWING REVISION BY NAME: - DATE: -	VOLUME in mm³ 32232565

SCALE: 1:000	DRAWING FORMAT A2	DRAWING TITLE Hi-D 12" DUCT LEFT (FRONT DOOR ONLY)	
ISO-SYMBOL 	GENERAL TOLERANCE		

 Tyco Electronics TYCO/Electronics - Raychem N.V. DIESTSESTEENWEG 692 B-3010 KESSEL-LO, BELGIUM	DRAWING SHEET REVISION NUMBER D_0014008_02.AF	REVISION AF
	THIS DRAWING AND INFORMATION SET FORTH HEREON ARE THE PROPERTY OF TYCO/Electronics/Raychem N.V. AND ARE TO BE HELD IN TRUST AND CONFIDENCE. PUBLICATION, DUPLICATION, DISCLOSURE OR USE FOR ANY PURPOSE NOT EXPRESSLY AUTHORIZED IN WRITING BY TYCO/Electronics IS PROHIBITED.	

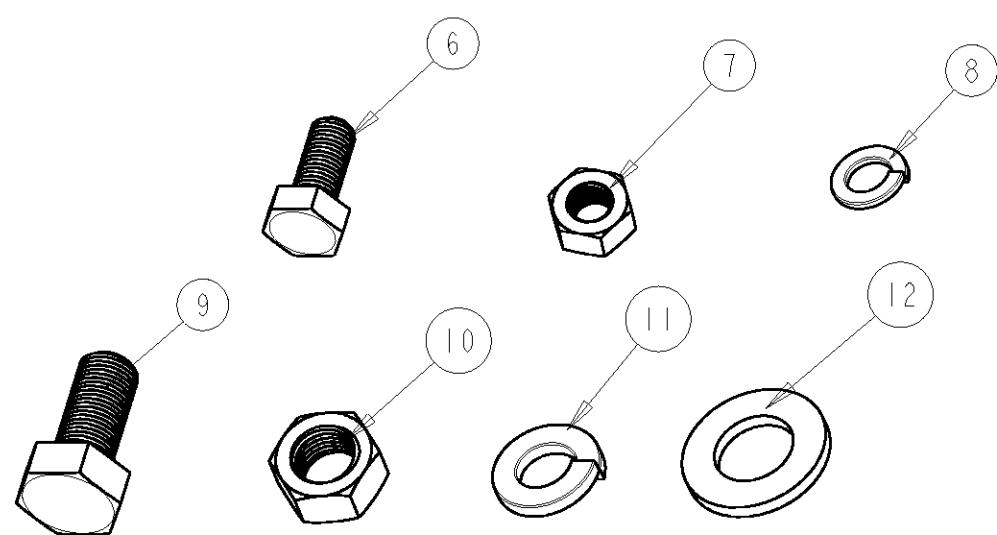


SCALE 0.100



SCALE 0.150

MOUNTING HARDWARE INCLUDED



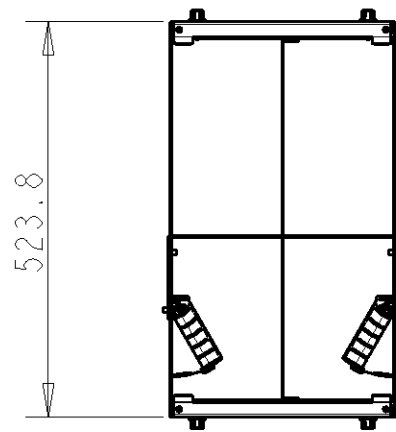
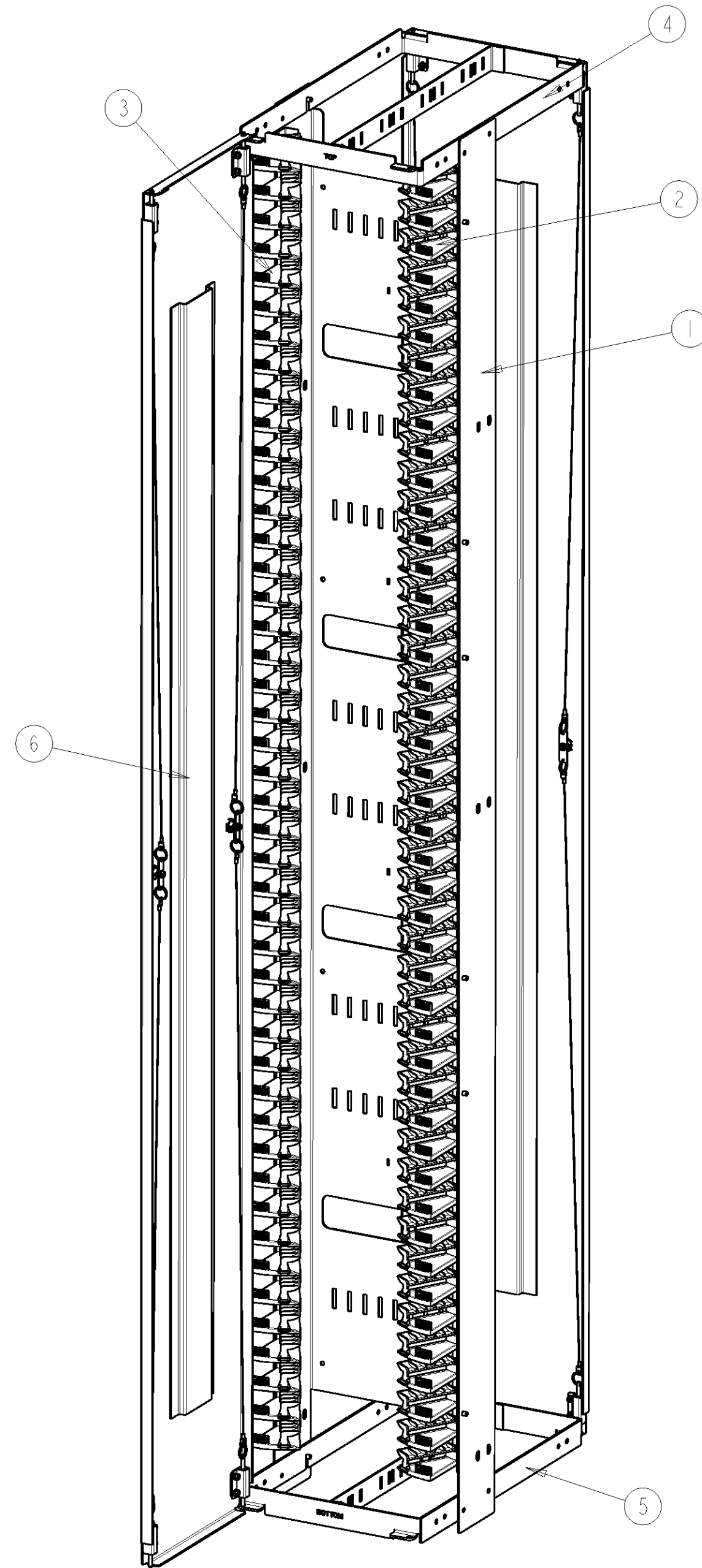
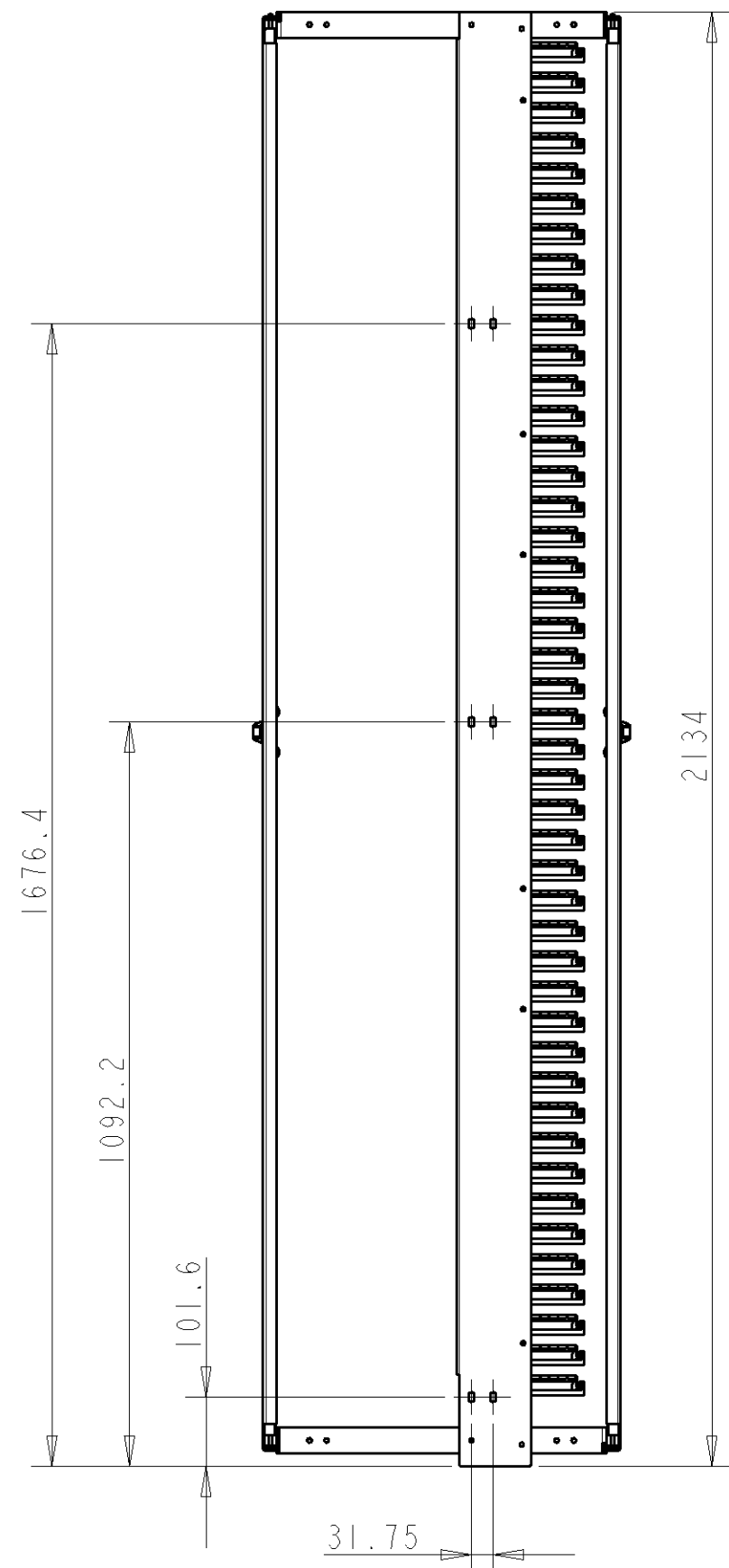
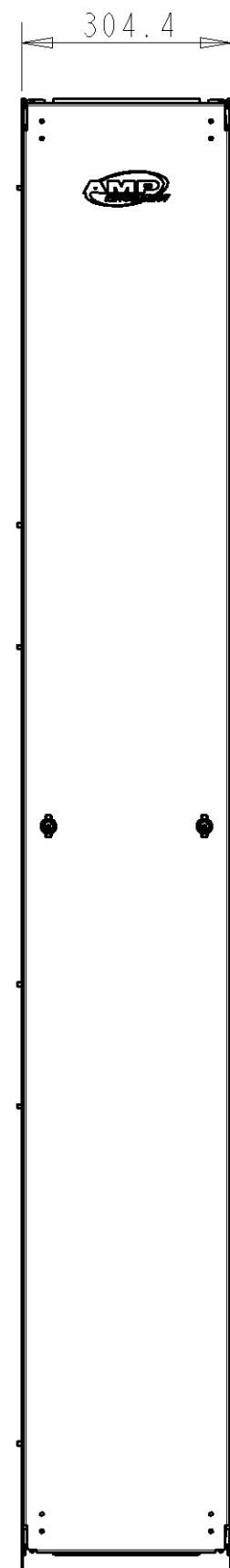
PACKAGING INFORMATION
PACKAGING BY VENDOR (PACKED UNASSEMBLED)

QTY	DESCRIPTION	ITEM
6	Washer Din 125-1A M10	12
6	Spring Lock washer Din 127B M8	11
6	Hexagon nut Din 934 M8	10
6	Screw Din 933 M8x18	9
14	Spring Lock washer Din 127B M6	8
14	Hexagon nut Din 934 M6	7
4	Screw Din 933 M6x14	6
1	Hi-D 12" Door Assy RIGHT	5
1	Hi-D Door Support 12" Cable Duct BOTTOM	4
1	Hi-D Door Support 12" Cable Duct TOP	3
3	Hi-D Cable Mgmt Right 15U	2
1	Hi-D 12" Duct	1

CUSTOMER DRAWING

AMP part N° : 1671109

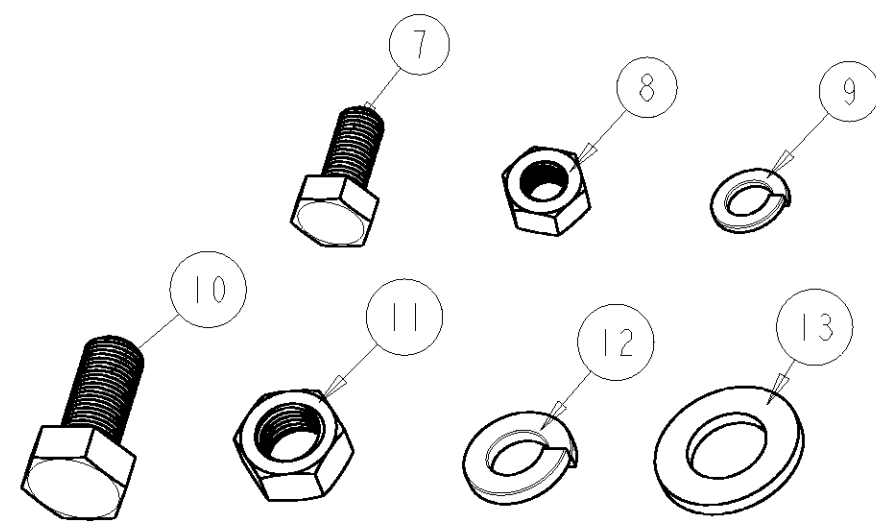
DRAWING STATUS		REVISION DESCRIPTION: - ALL PART NUMBERS SAME REVISION, OTHER SHEET NUMBER	
RELEASED		DRAWING BY NAME: H. BLEUS DATE: 12-SEP-08	DRAWING REVISION BY NAME: - DATE: -
SCALE: 1:000	DRAWING FORMAT A2	DRAWING TITLE Hi-D 12" DUCT RIGHT (FRONT DOOR ONLY)	
ISO-SYMBOL 	GENERAL TOLERANCE	DRAWING SHEET REVISION NUMBER D_0014008_03_AF	
 TYCO/Electronics - Raychem N.V. DIESTSESTEENWEG 692 B-3010 KESSEL-LO, BELGIUM		REVISION AF	THIS DRAWING AND INFORMATION SET FORTH HEREON ARE THE PROPERTY OF TYCO/Electronics/Raychem N.V. AND ARE TO BE HELD IN TRUST AND CONFIDENCE. PUBLICATION, DUPLICATION, DISCLOSURE OR USE FOR ANY PURPOSE NOT EXPRESSLY AUTHORIZED IN WRITING BY TYCO/Electronics IS PROHIBITED.



SCALE 0.100

SCALE 0.150

MOUNTING HARDWARE INCLUDED



SCALE 1.000

PACKAGING INFORMATION:
PACKAGING BY VENDOR (PACKED UNASSEMBLED)

12	Washer Din 125-1A M10	13
12	Spring lock washer Din 127B M8	12
12	Hexagon nut Din 934 M8	11
12	Screw Din 933 M8x18	10
20	Spring lock washer Din 127B M6	9
20	Hexagon nut Din 934 M6	8
4	Screw Din 933 M6x14	7
2	Hi-D 12" Door Assy	6
1	Hi-D Door Support 12" Cable Duct BOTTOM	5
1	Hi-D Door Support 12" Cable Duct TOP	4
3	Hi-D Cable Mgmt Right 15U	3
3	Hi-D Cable Mgmt Left 15U	2
1	Hi-D 12" Duct	1
1--1	DESCRIPTION	ITEM
QTY		

CUSTOMER DRAWING AMP part N° : 1671109

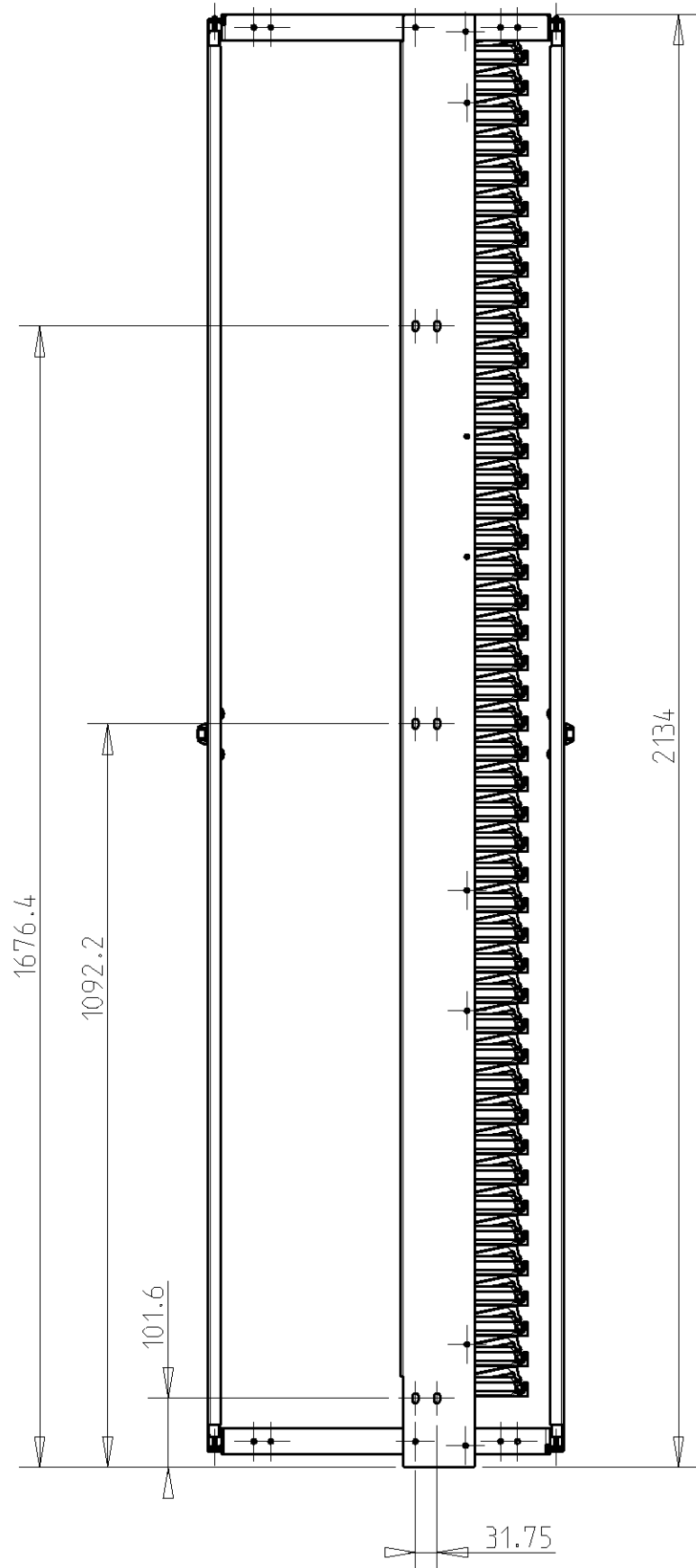
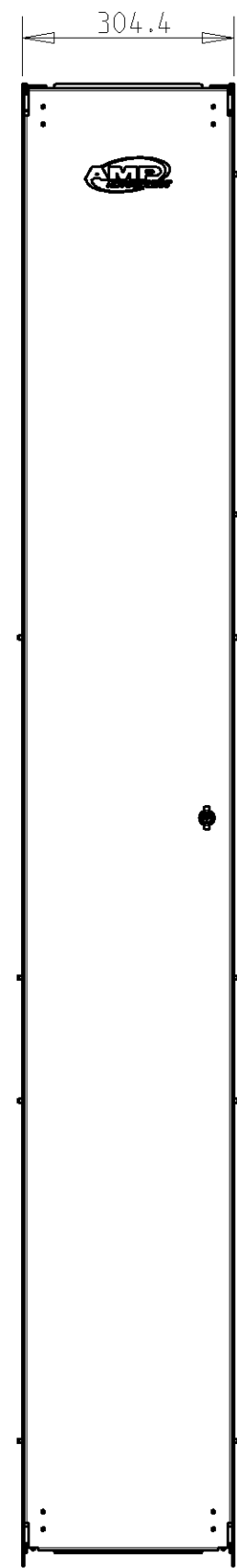
DRAWING STATUS	RELEASED	REVISION DESCRIPTION:	- BOM ADDED / TOP-BOTTOM BRCKT DOOR SUPPORT LABEL REMOVED - ALL PART NUMBERS SAME REVISION, OTHER SHEET NUMBER
DRAWING BY	NAME: H. BLEUS DATE: 12-SEP-08	DRAWING REVISION BY	NAME: - DATE: -
VOLUME OF MOULDED PART OR AREA OF UNFOLDED SHEETMETAL PART.	mm ³ / mm ²		-

SCALE:	0.053	DRAWING FORMAT	A2	DRAWING TITLE	Hi-D 12" DUCT
ISO-SYMBOL		GENERAL TOLERANCE			

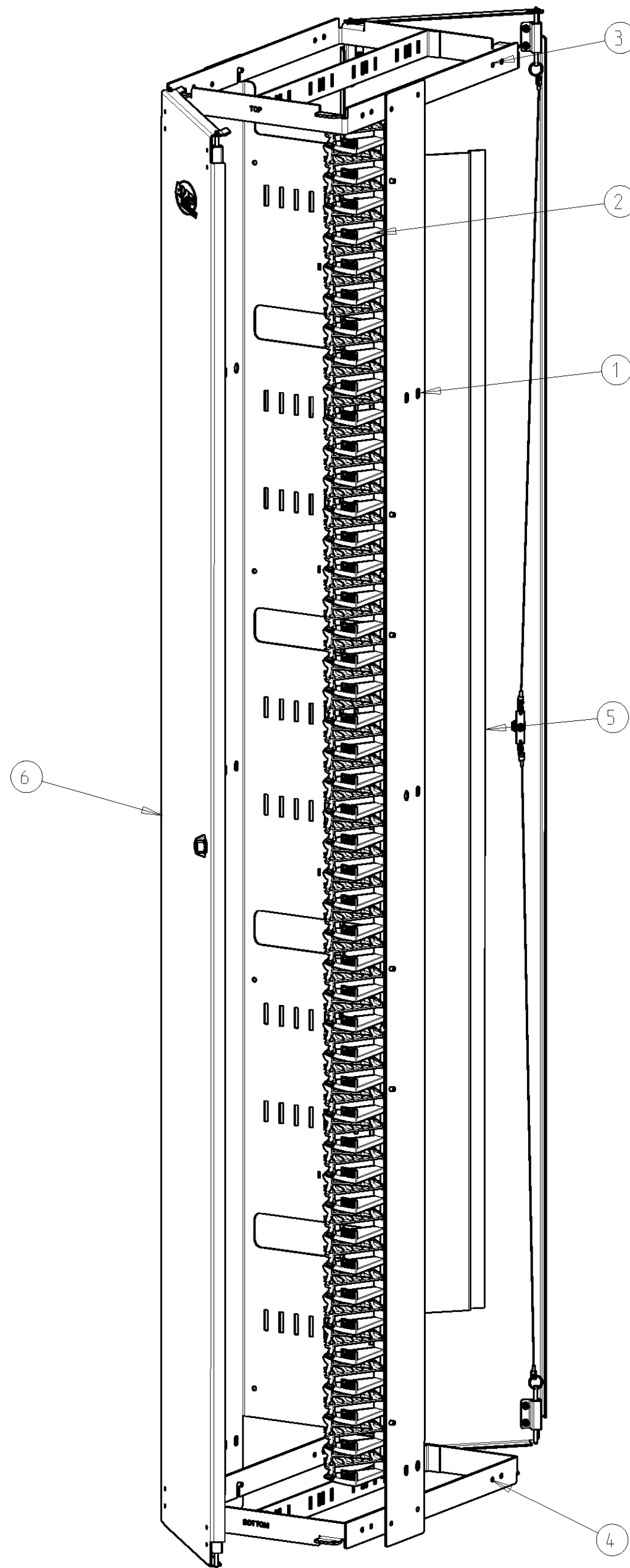
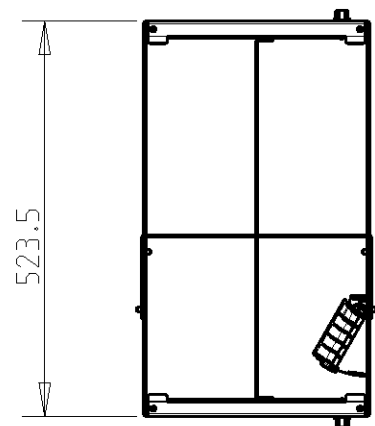
Tyco Electronics
 Tyco/Electronics - Raychem N.V.
 DIESTSESTEENWEG 692
 B-3010 KESSEL-LO, BELGIUM

DRAWING_SHEET_REVISION	NUMBER	REVISION
D_0014008_04	AF	AF

THIS DRAWING AND INFORMATION SET FORTH HEREON ARE THE PROPERTY OF TYCO/Electronics/Raychem N.V. AND ARE TO BE HELD IN TRUST AND CONFIDENCE. PUBLICATION, DUPLICATION, DISCLOSURE OR USE FOR ANY PURPOSE NOT EXPRESSLY AUTHORIZED IN WRITING BY TYCO/Electronics IS PROHIBITED.

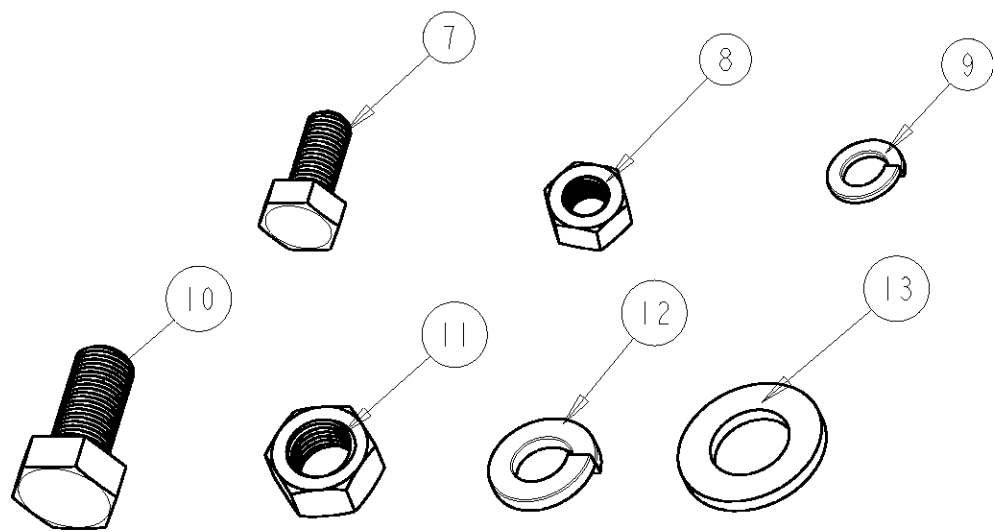


SCALE 0.100



SCALE 0.150

MOUNTING HARDWARE INCLUDED



PACKAGING INFORMATION
PACKAGING BY VENDOR (PACKED UNASSEMBLED)

QTY	DESCRIPTION	ITEM
6	Washer Din 125-1A M10	13
6	Spring Lock washer Din 127B M8	12
6	Hexagon nut Din 934 M8	11
6	Screw Din 933 M8x18	10
14	Spring lock washer Din 127B M6	9
14	Hexagon nut Din 934 M6	8
4	Screw Din 933 M6x14	7
1	Hi-D 12" Door Assy LEFT	6
1	Hi-D 12" Door Assy RIGHT	5
1	Hi-D Door Support 12" Cable Duct BOTTOM	4
1	Hi-D Door Support 12" Cable Duct TOP	3
3	Hi-D Cable Mgmt Left 15U	2
1	Hi-D 12" Duct	1

CUSTOMER DRAWING AMP part N° : 1671109

DRAWING STATUS: **RELEASED** REVISION DESCRIPTION: - ALL PART NUMBERS SAME REVISION, OTHER SHEET NUMBER

DRAWING BY: H. BLEUS DATE: 12-SEP-08
DRAWING REVISION BY: - DATE: -
VOLUME in mm³: 32232565

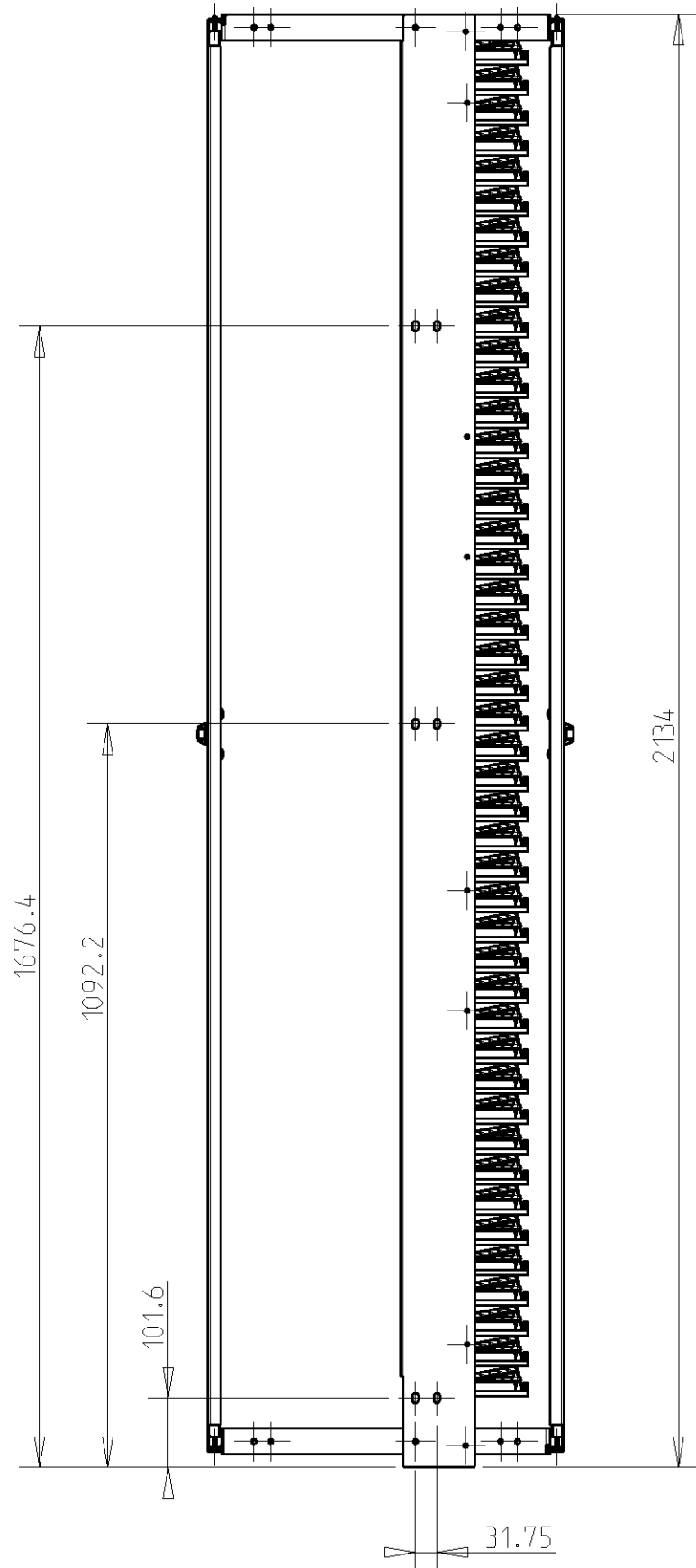
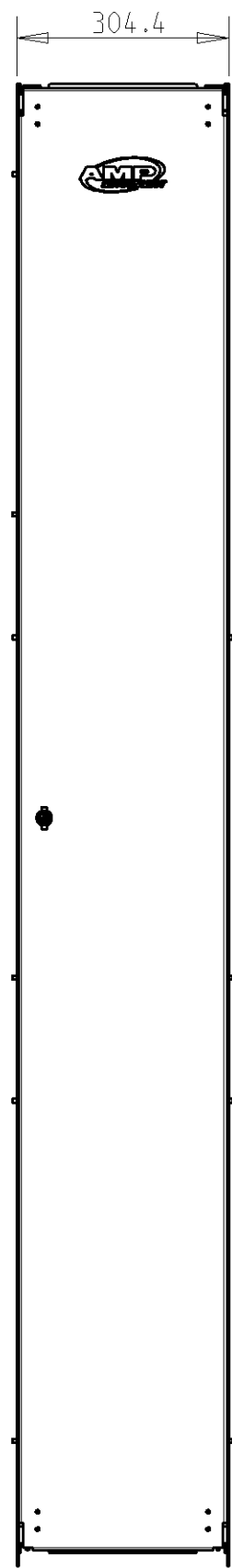
SCALE: 1000 DRAWING FORMAT: **A2** DRAWING TITLE: **Hi-D 12" DUCT LEFT**

ISO-SYMBOL: GENERAL TOLERANCE:

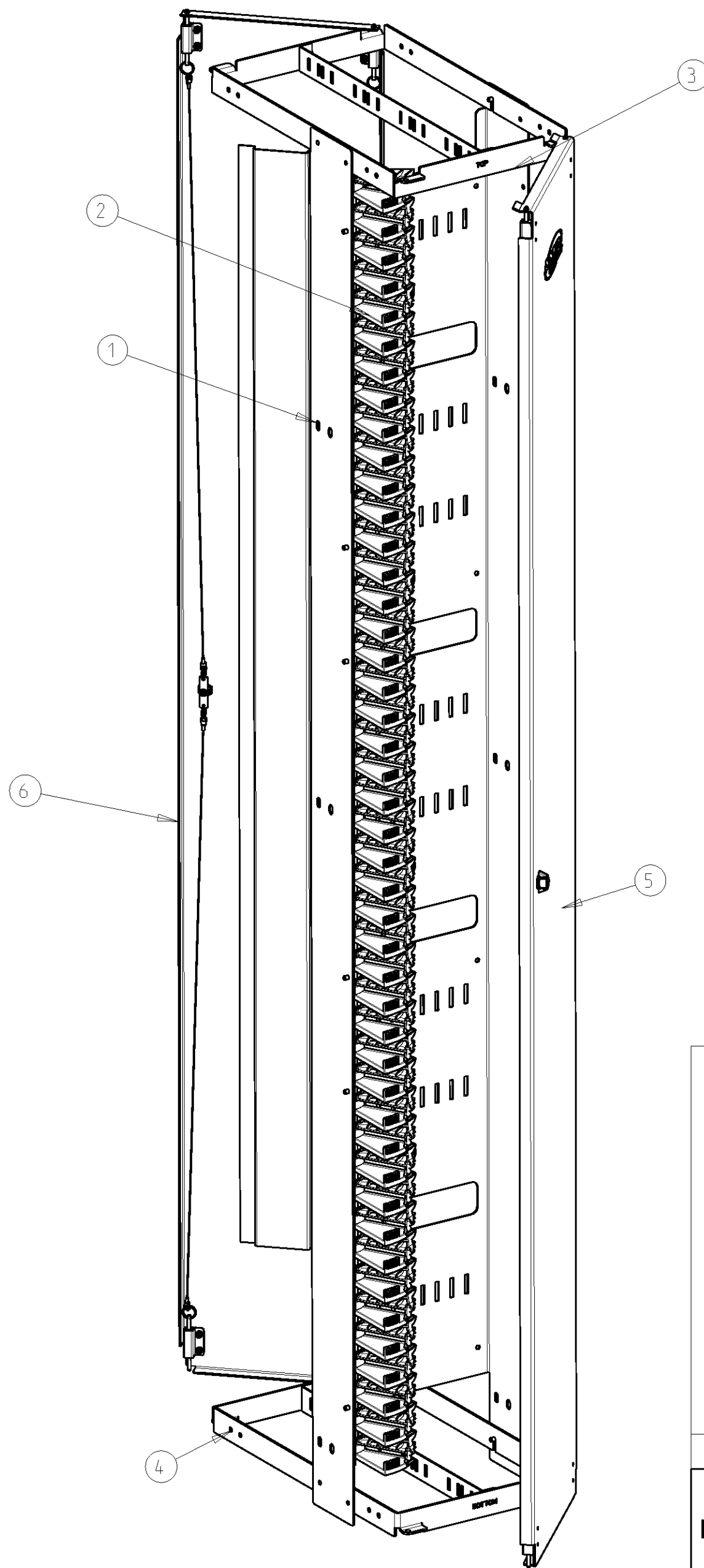
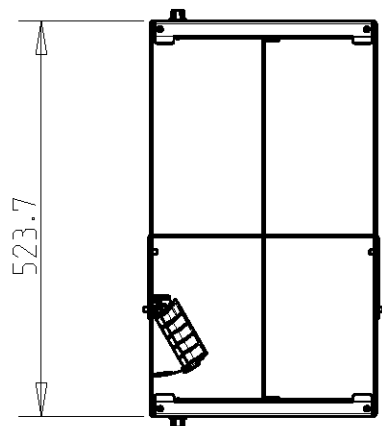
DRAWING_SHEET_REVISION_NUMBER: **D_0014008_05_AF** REVISION: **AF**

Tyco Electronics
TYCO/Electronics - Raychem N.V.
DIESTSESTEENWEG 692
B-3010 KESSEL-LO, BELGIUM

THIS DRAWING AND INFORMATION SET FORTH HEREON ARE THE PROPERTY OF TYCO/Electronics/Raychem N.V. AND ARE TO BE HELD IN TRUST AND CONFIDENCE. PUBLICATION, DUPLICATION, DISCLOSURE OR USE FOR ANY PURPOSE NOT EXPRESSLY AUTHORIZED IN WRITING BY TYCO/Electronics IS PROHIBITED.

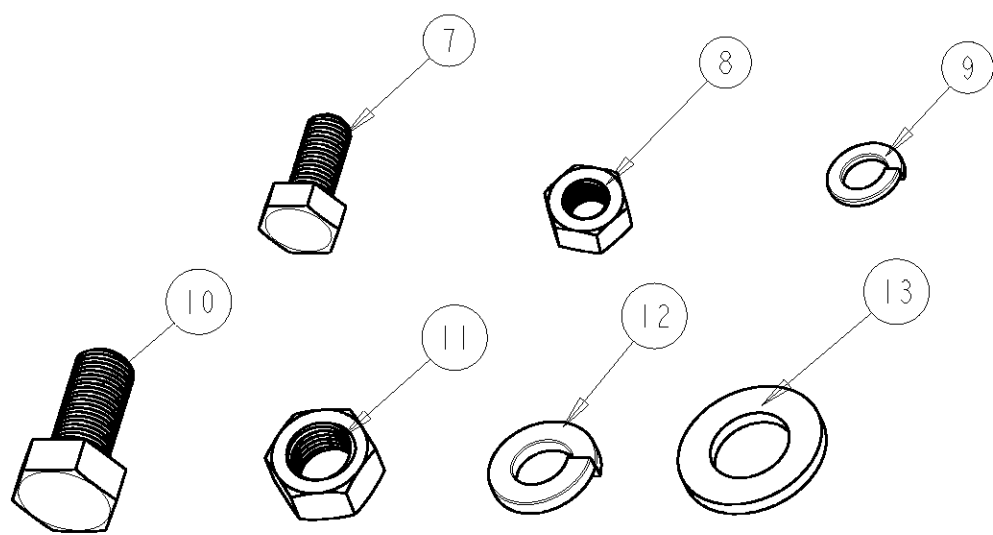


SCALE 0.100



SCALE 0.150

MOUNTING HARDWARE INCLUDED



PACKAGING INFORMATION
PACKAGING BY VENDOR (PACKED UNASSEMBLED)

6	Washer Din 125-1A M10	13
6	Spring Lock washer Din 127B M8	12
6	Hexagon nut Din 934 M8	11
6	Screw Din 933 M8x18	10
14	Spring Lock washer Din 127B M6	9
14	Hexagon nut Din 934 M6	8
4	Screw Din 933 M6x14	7
1	Hi-D 12" Door Assy LEFT	6
1	Hi-D 12" Door Assy RIGHT	5
1	Hi-D Door Support 12" Cable Duct BOTTOM	4
1	Hi-D Door Support 12" Cable Duct TOP	3
3	Hi-D Cable Mgmt Right 15U	2
1	Hi-D 12" Duct	1
1--3	DESCRIPTION	ITEM
QTY		

CUSTOMER DRAWING

AMP part N° : 1671109

DRAWING STATUS	REVISION DESCRIPTION: - ALL PART NUMBERS SAME REVISION, OTHER SHEET NUMBER		
RELEASED	DRAWING BY NAME: H. BLEUS	DRAWING REVISION BY NAME: -	VOLUME in mm³: 32232565
	DATE: 12-SEP-08	DATE: -	

SCALE: 1000	DRAWING FORMAT: A2	DRAWING TITLE: Hi-D 12" DUCT RIGHT
ISO-SYMBOL	GENERAL TOLERANCE	

Tyco Electronics

Drawing Sheet Revision Number: **D_0014008_06_AF** Revision: **AF**

THIS DRAWING AND INFORMATION SET FORTH HEREON ARE THE PROPERTY OF TYCO/Electronics/Raychem N.V. AND ARE TO BE HELD IN TRUST AND CONFIDENCE. PUBLICATION, DUPLICATION, DISCLOSURE OR USE FOR ANY PURPOSE NOT EXPRESSLY AUTHORIZED IN WRITING BY TYCO/Electronics IS PROHIBITED.