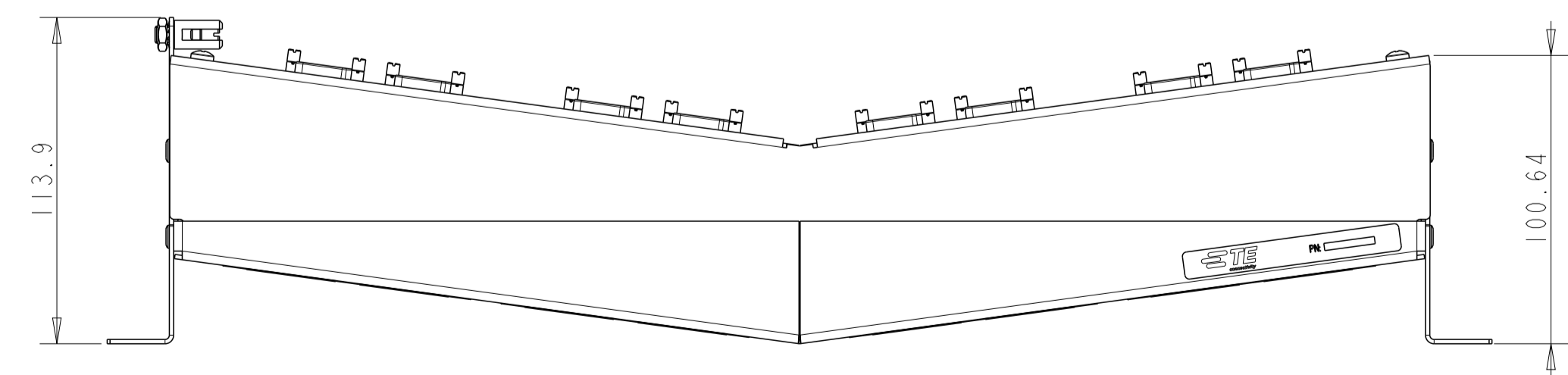
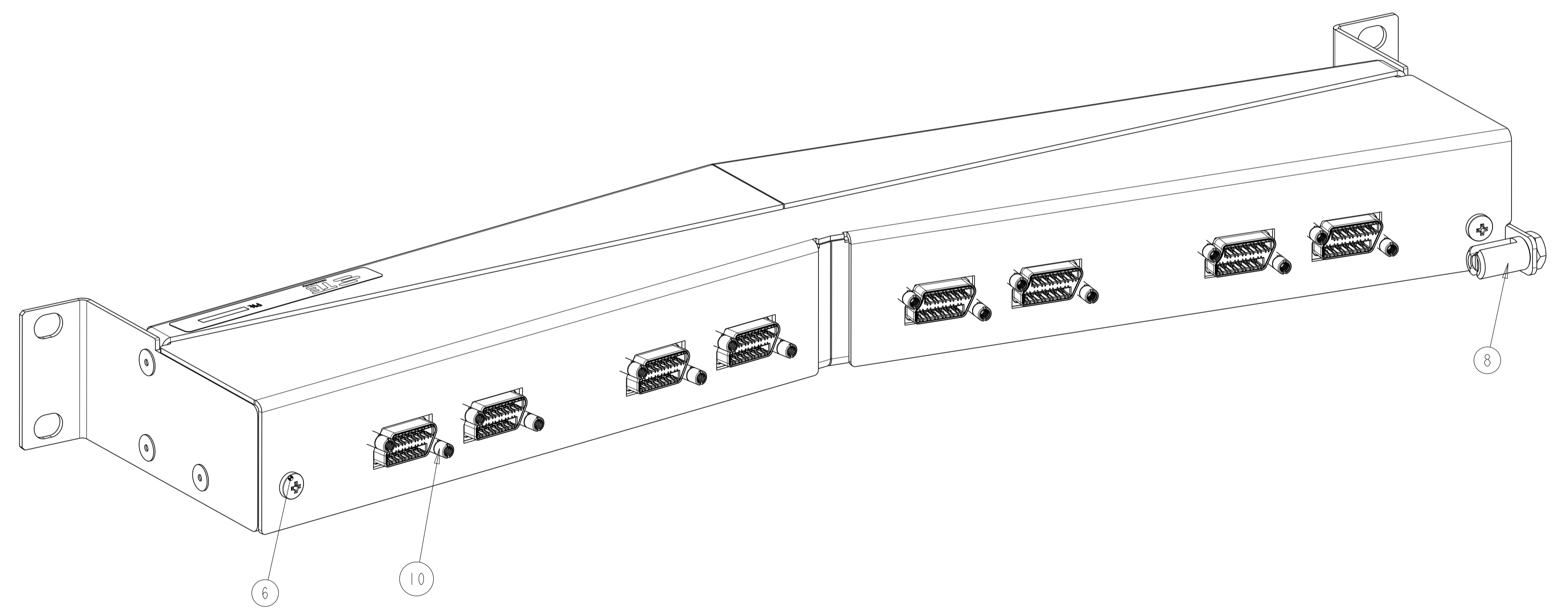
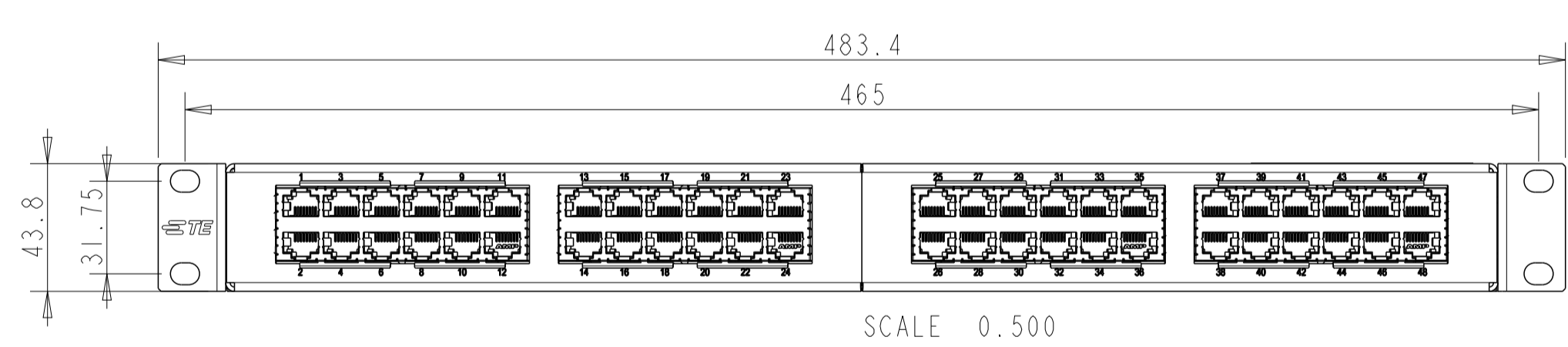
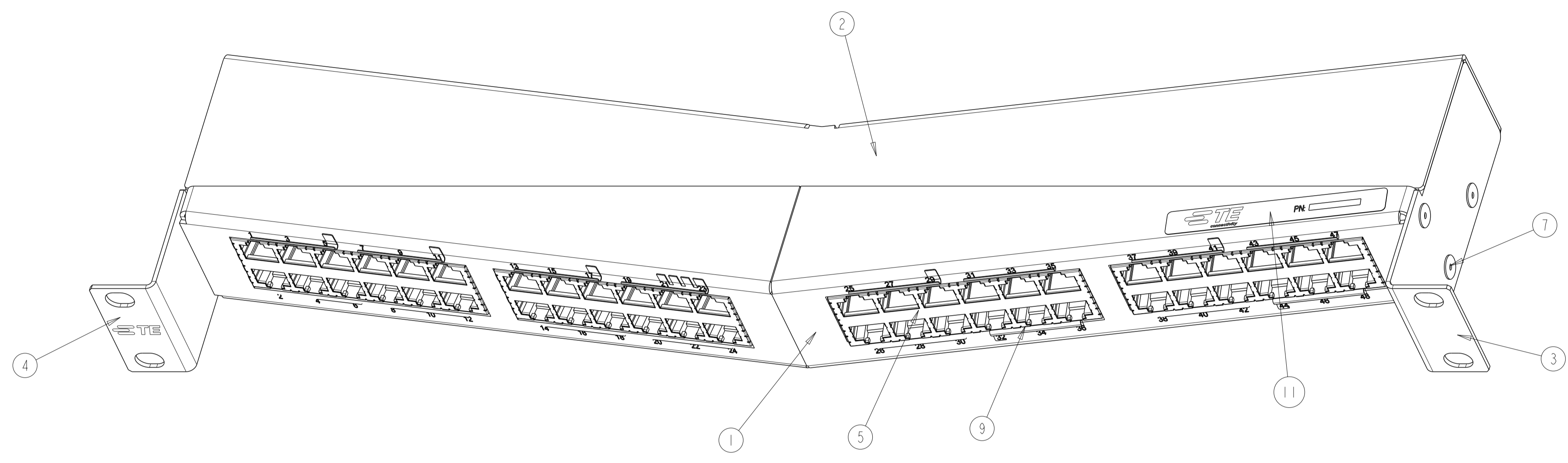


| LOC | | DIST | | REVISIONS | | | |
|-----|-----|---------------|-----------|-----------|------|--|--|
| P | LTN | DESCRIPTION | DATE | DWN | APVD | | |
| 1 | | ECR-13-010422 | 09JUL2013 | HB | DT | | |
| | | | | | | | |
| | | | | | | | |



| ITEM | DESCRIPTION | ITEM |
|------|--------------------------------|------|
| 1 | LABEL | 11 |
| 16 | SCREW LOCK MRJ21 RECEPTACLE | 10 |
| 16 | GROUNDING CLIP FOR PATCH PANEL | 9 |
| 1 | GROUNDING SCREW | 8 |
| 6 | RIVET DIA 4MMx7 | 7 |
| 10 | SCREW DIN7985 M4x6 | 6 |
| 4 | PCB MRJ21, 1 G1G | 5 |
| 1 | Hi-D MRJ21-PANEL MB LEFT | 4 |
| 1 | Hi-D MRJ21-PANEL MB RIGHT | 3 |
| 1 | Hi-D MRJ21-PANEL COVER | 2 |
| 1 | Hi-D MRJ21-PANEL BASE | 1 |
| 1--1 | DESCRIPTION | ITEM |
| QTY | | |

THIS DRAWING IS A CONTROLLED DOCUMENT.

| | | | |
|-------------|---|-------------------------|---|
| DIMENSIONS: | TOLERANCES UNLESS OTHERWISE SPECIFIED: | DWN H.BLEUS 09JUL2013 | TE Connectivity NAME HI-D MRJ21-PANEL (1000BASE-T) |
| mm | 0 PLC ± 1 PLC ± 2 PLC ± 3 PLC ± 4 PLC ± ANGLES ± | CHK H.BLEUS 09JUL2013 | |
| MATERIAL | FINISH | APVD D.THILJS 09JUL2013 | |
| | | PRODUCT SPEC | |
| | | APPLICATION SPEC | SIZE A1 |
| | | WEIGHT | CAGE CODE 00779 |
| | | | DRAWING NO C=1671143 |
| | | | RESTRICTED TO |
| | | | SCALE 1.000 SHEET 1 OF 1 REV AB |

CUSTOMER DRAWING