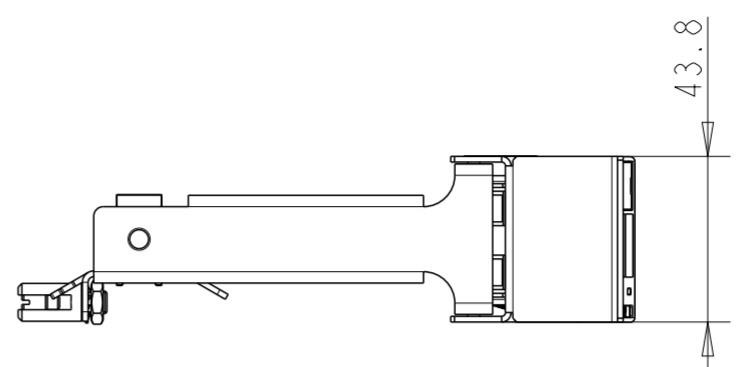
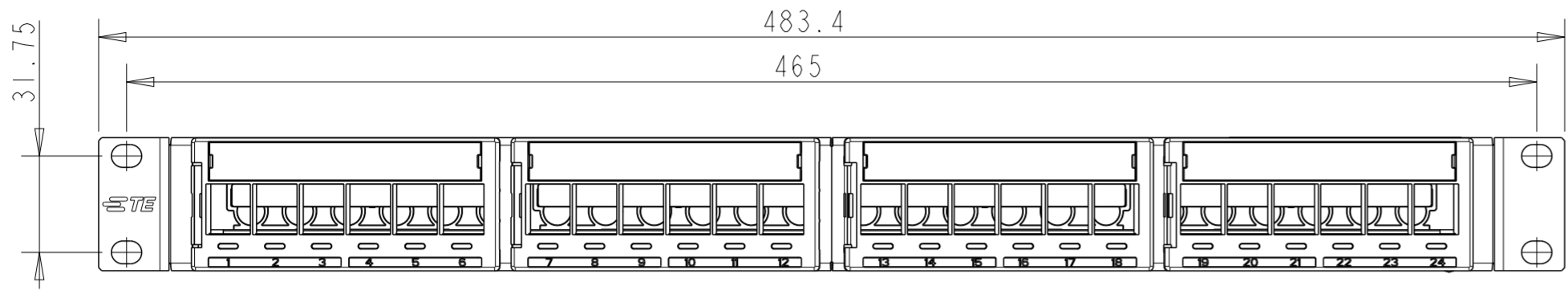
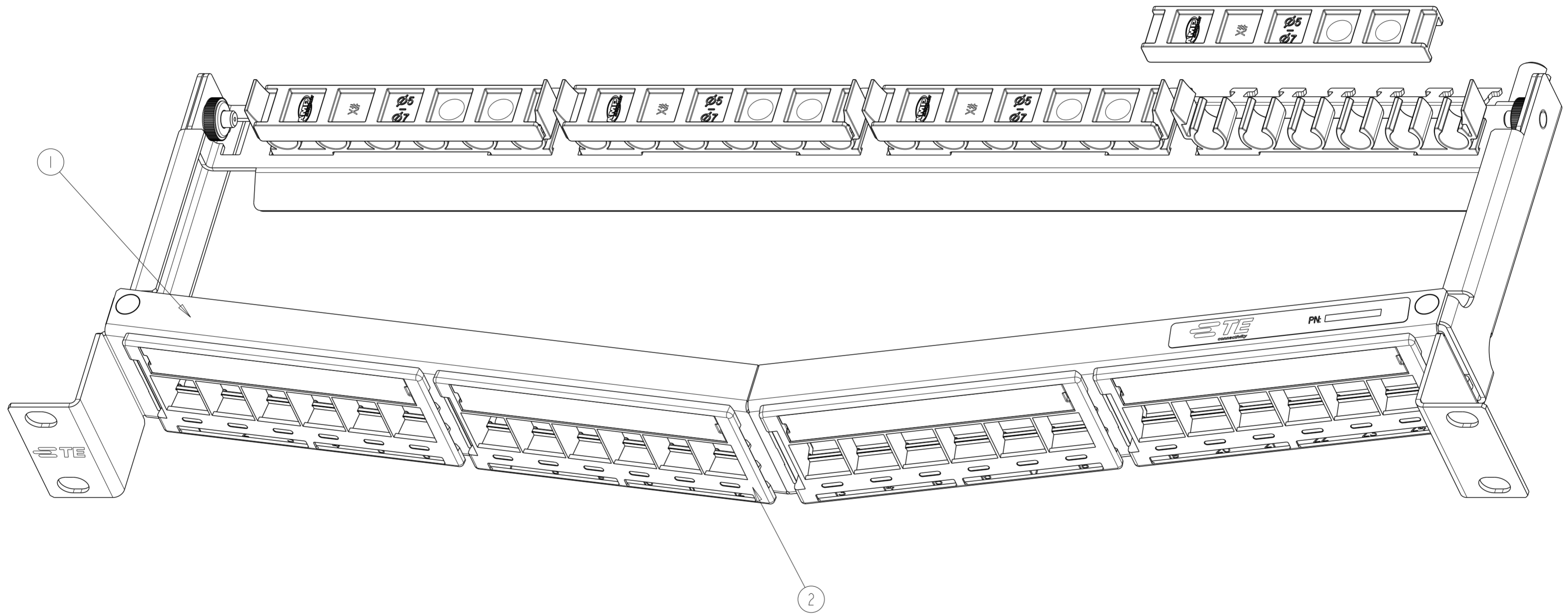


THIS DRAWING IS UNPUBLISHED. RELEASED FOR PUBLICATION 20  
 © COPYRIGHT 20 BY - ALL RIGHTS RESERVED.


| LOC | DIST | REVISIONS   |               |           |       |
|-----|------|-------------|---------------|-----------|-------|
| P   | LTR  | DESCRIPTION | DATE          | DWN       | APVD  |
| 00  | 00   | AC          | ECR-13-001732 | 28MAY2013 | HB DT |
|     |      |             |               |           |       |
|     |      |             |               |           |       |



SCALE 0.500



| QTY    | DESCRIPTION                       | ITEM |
|--------|-----------------------------------|------|
| 1      | 24-PORT STP Interface Housing Kit | 2    |
| -      | 24-PORT UTP Interface Housing Kit | 1    |
| 1      | Hi-D MODULAR PANEL (UNLOADED)     | 1    |
| 1 - -2 | 1 - -1                            |      |

|  |   |  |   |              |  |
|--|---|--|---|--------------|--|
| THIS DRAWING IS A CONTROLLED DOCUMENT.                                     |   | DWN<br>H.BLEUS<br>28MAY2013                |  TE Connectivity |              |  |
| DIMENSIONS: mm   |   | CHK<br>H.BLEUS<br>28MAY2013                |   |              | NAME<br>Hi-D 6BLOCK ANGLED PATCH PANEL<br>&DWG_TITLE_2 |
| TOLERANCES UNLESS OTHERWISE SPECIFIED:                                     |   | APVD<br>D.THUIS<br>28MAY2013               |   |              |  |
| 0 PLC ±<br>1 PLC ±<br>2 PLC ±<br>3 PLC ±<br>4 PLC ±<br>ANGLES ±1<br>FINISH |   | PRODUCT SPEC<br>-<br>APPLICATION SPEC<br>- |   |              | RESTRICTED TO<br>-                                     |
| MATERIAL   | - | WEIGHT                                     | -   | SIZE<br>A2   |  |
| CUSTOMER DRAWING   |   | SCALE 1.000                                |   | SHEET 1 OF 1 |  |