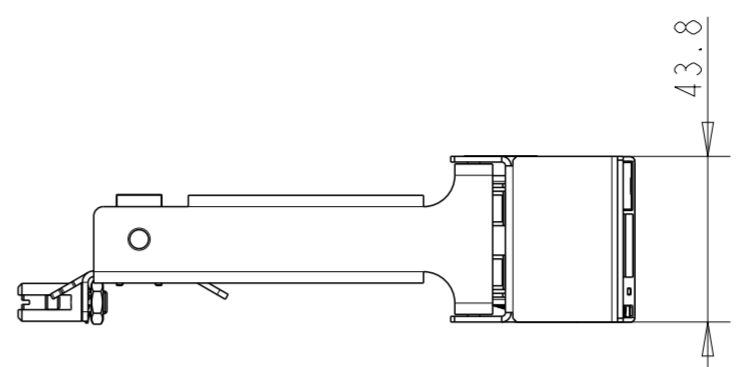
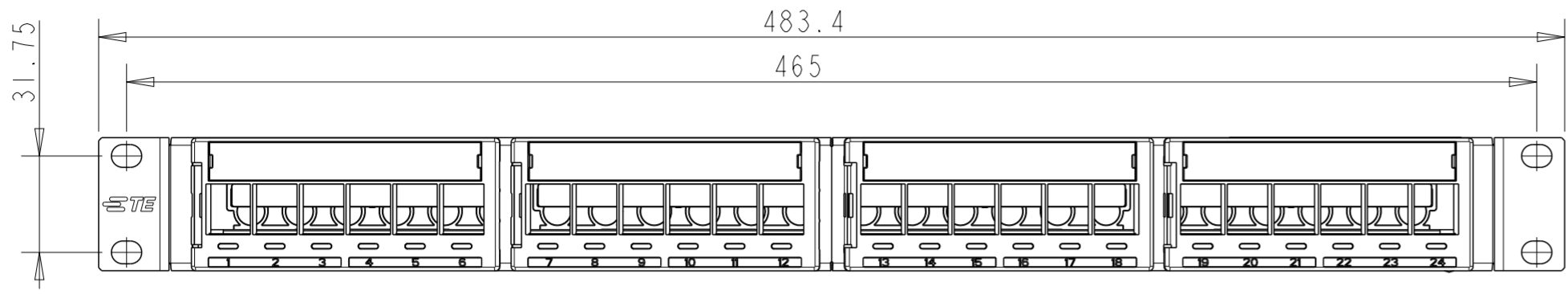
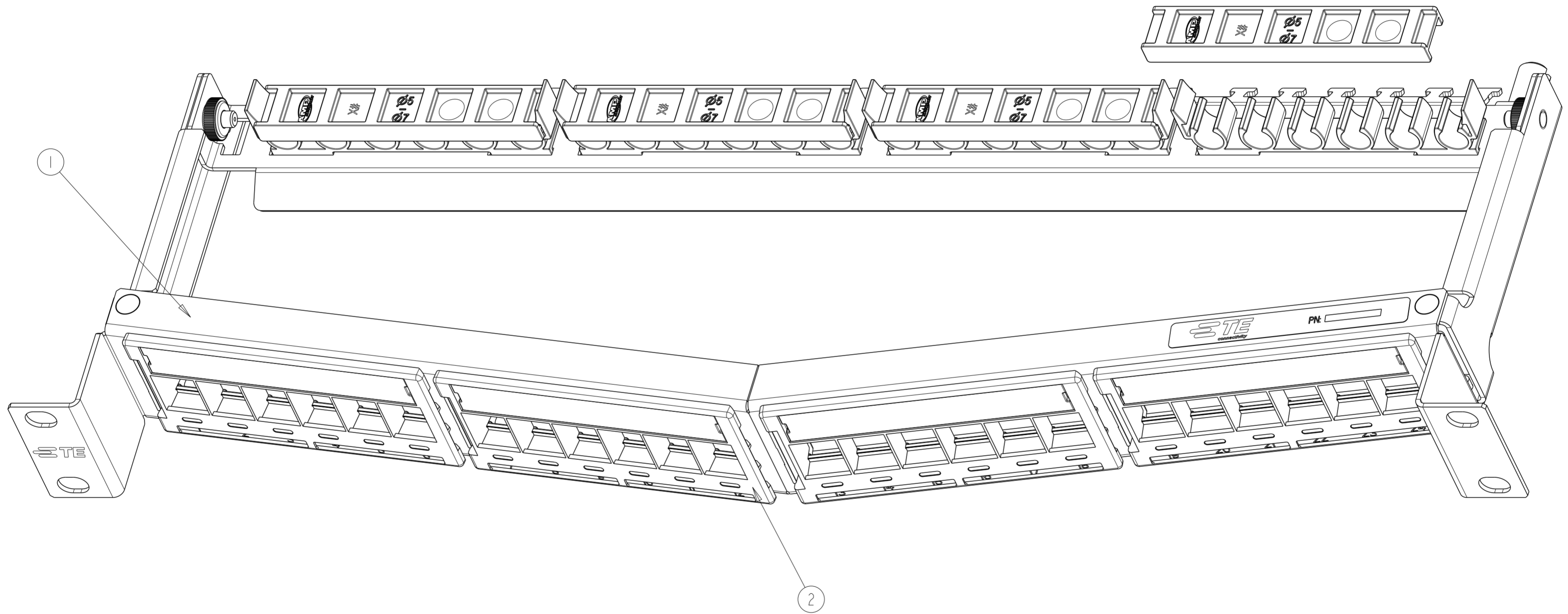


THIS DRAWING IS UNPUBLISHED. RELEASED FOR PUBLICATION 20  
 © COPYRIGHT 20 BY - ALL RIGHTS RESERVED.

LOC	DIST	REVISIONS			
P	LTR	DESCRIPTION	DATE	DWN	APVD
00	00	AC	ECR-13-001732	28MAY2013	HB DT



SCALE 0.500



QTY	DESCRIPTION	ITEM
1	24-PORT STP Interface Housing Kit	2
-	24-PORT UTP Interface Housing Kit	1
1	Hi-D MODULAR PANEL (UNLOADED)	1
1 - -2	1 - -1	

THIS DRAWING IS A CONTROLLED DOCUMENT.		DWN H.BLEUS 28MAY2013	<b>STE</b> TE Connectivity
DIMENSIONS: mm		CHK H.BLEUS 28MAY2013	
TOLERANCES UNLESS OTHERWISE SPECIFIED:		APVD D.THUIS 28MAY2013	
0 PLC ± 1 PLC ± 2 PLC ± 3 PLC ± 4 PLC ± ANGLES ±1 FINISH		NAME Hi-D 6BLOCK ANGLED PATCH PANEL &DWG_TITLE_2	
MATERIAL		PRODUCT SPEC -	SIZE A2
		APPLICATION SPEC -	CAGE CODE 00779
		WEIGHT -	DRAWING NO C-1671157
		CUSTOMER DRAWING	RESTRICTED TO -
			SCALE 1.000 SHEET 1 OF 1 REV AC