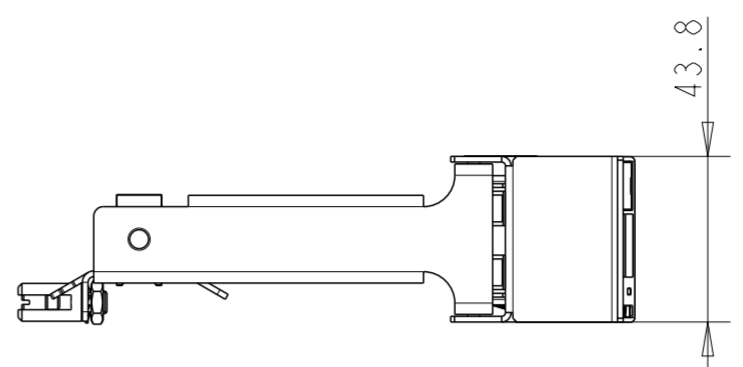
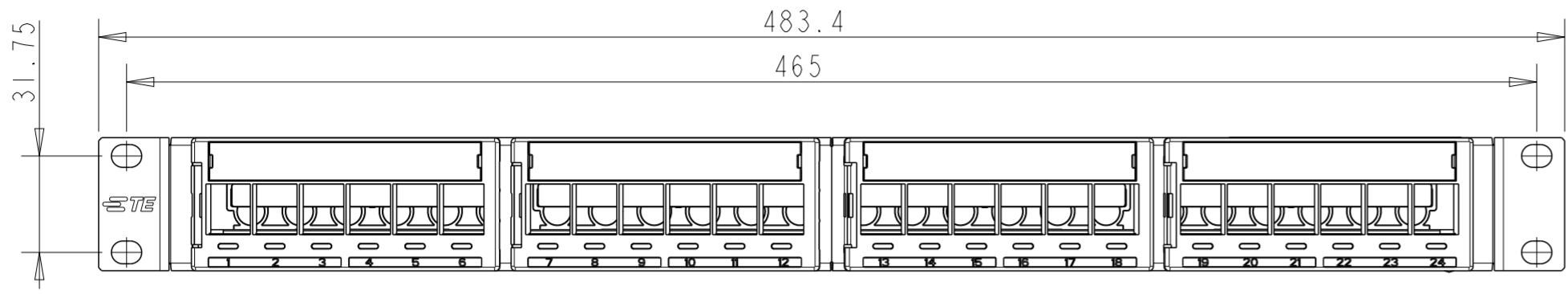
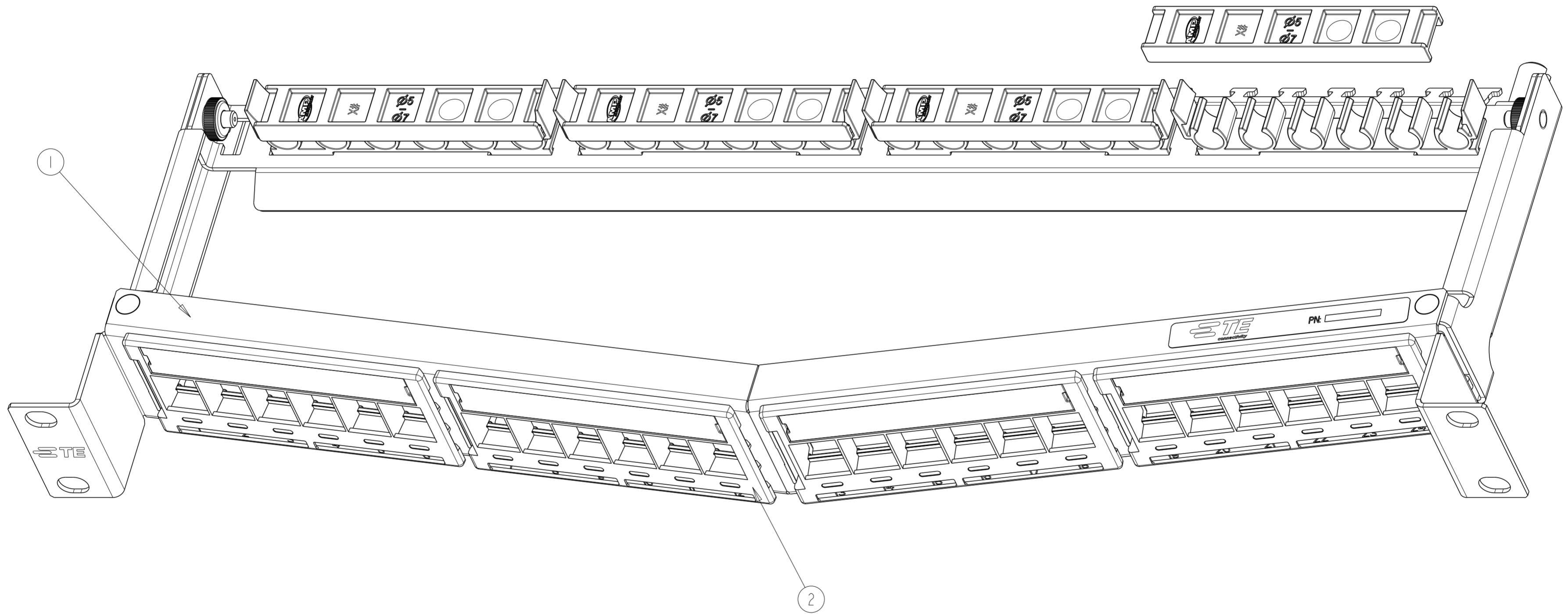


THIS DRAWING IS UNPUBLISHED. RELEASED FOR PUBLICATION 20
 © COPYRIGHT 20 BY - ALL RIGHTS RESERVED.


LOC	DIST	REVISIONS			
P	LTR	DESCRIPTION	DATE	DWN	APVD
00	00	AC	ECR-13-001732	28MAY2013	HB DT



SCALE 0.500



QTY	DESCRIPTION	ITEM
1	24-PORT STP Interface Housing Kit	2
-	24-PORT UTP Interface Housing Kit	1
1	Hi-D MODULAR PANEL (UNLOADED)	1
1 - -2	1 - -1	

THIS DRAWING IS A CONTROLLED DOCUMENT.		DWN H.BLEUS 28MAY2013	 TE Connectivity	NAME Hi-D 6BLOCK ANGLED PATCH PANEL &DWG_TITLE_2
DIMENSIONS: mm		CHK H.BLEUS 28MAY2013		
TOLERANCES UNLESS OTHERWISE SPECIFIED:		APVD D.THUIS 28MAY2013		
0 PLC ± 1 PLC ± 2 PLC ± 3 PLC ± 4 PLC ± ANGLES ±1 FINISH		PRODUCT SPEC - APPLICATION SPEC -		
MATERIAL	-	WEIGHT	SIZE A2	CAGE CODE 00779
CUSTOMER DRAWING		SCALE 1.000	DRAWING NO C-1671157	RESTRICTED TO -
SHEET 1 OF 1			REV AC	