

PATCH PANEL RETROFIT KIT		STANDARD PATCH PANEL		AMPTRAC INPUT/OUTPUT (I/O) CABLE
PART NUMBER	DESCRIPTION	UNSHIELDED	SHIELDED	
1479951-1	48 Ports — Straight Patch Panel	1435965-1 and 1435971-1	1777098-1	1499507-X▪
1479853-1	48 Ports — Angled Patch Panel	1777052-1	—	
1479894-1	24 Ports — Straight Patch Panel	1777029-1	—	

Figure 1

▪ X denotes length in feet.

1. INTRODUCTION

Each patch panel retrofit kit is designed to be installed onto the MRJ21 standard patch panels listed in Figure 1 to enable it for use with the AMP NETCONNECT AMPTRAC system. Read these instructions thoroughly before starting installation.

AMPTRAC-ready MRJ21 patch panels are available (for 24 ports, refer to 408-8974; for 48-port straight patch panels, refer to 408-8998; for 48-port angled patch panels, refer to 408-8963).

NOTE



Dimensions in this instruction sheet are in millimeters [with inches in brackets]. Figures are not drawn to scale.

Reasons for reissue of this instruction sheet are provided in Section 4, REVISION SUMMARY.

To obtain information on AMP NETCONNECT products, call PRODUCT INFORMATION at the number at the bottom of this page, or visit the AMP NETCONNECT website at www.ampnetconnect.com.

2. DESCRIPTION (Refer to Figure 1)

Each patch panel retrofit kit consists of one or two sensor pc board and cable assembly (with an HDP-22 connector on one end and an AMPMODU connector on the other end). Also included are snap rivets for the sensor pc board subassembly and screwlocks for the HDP-22 connector of the cable assembly.

3. INSTALLATION

1. Remove the lid screws from the base of the patch panel. Remove the lid.
2. Remove all of the snap rivets and the cover plate (24-port patch panel) or plates (48-port patch panel) from the front of the patch panel. Also, for the shielded patch panel, remove the cover plate from the back of the patch panel. See Figure 2.
3. Place the cable assembly inside the base of the patch panel, and position the HDP-22 connector through the cutout at the back of the patch panel. Using the screwlocks, mount the HDP-22 connector onto the patch panel. See Figure 3.

Unshielded and Shielded Patch Panel

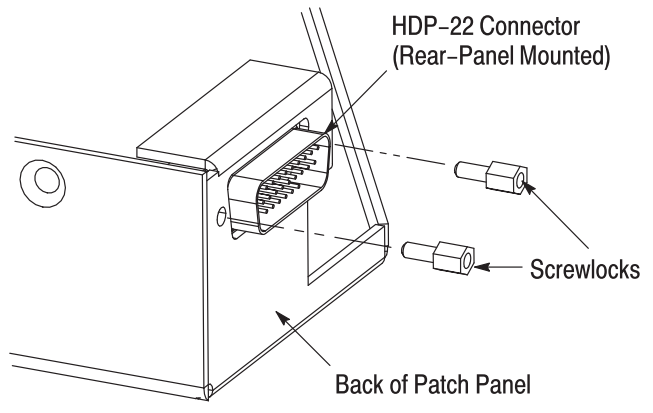
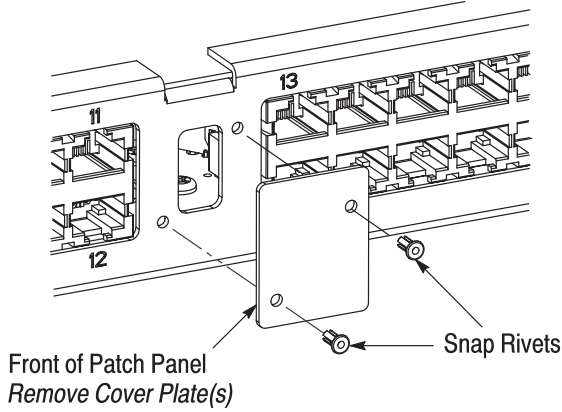


Figure 3

Shielded Patch Panel

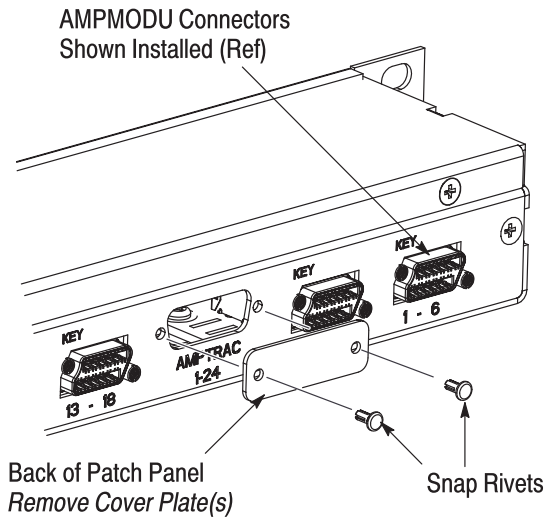


Figure 2

4. Remove the paper liner from the back of the sensor pc board subassembly (to expose the adhesive strip). Insert the AMPMODU connector through the back of the cutout in the patch panel, and plug it into the connector of the sensor pc board. See Figure 4.
5. Align the holes in the sensor pc board subassembly with the holes in the patch panel, and secure it to the patch panel using the snap rivets. See Figure 4.
6. Secure the lid of the patch panel onto the base of the patch panel using the lid screws.

4. REVISION SUMMARY

Revisions to this instruction sheet include:

- Updated document to corporate requirements
- Replaced superceded part numbers, and added shielded patch panels
- Replaced reference part numbers in Figure 1 with paragraph in Section 1

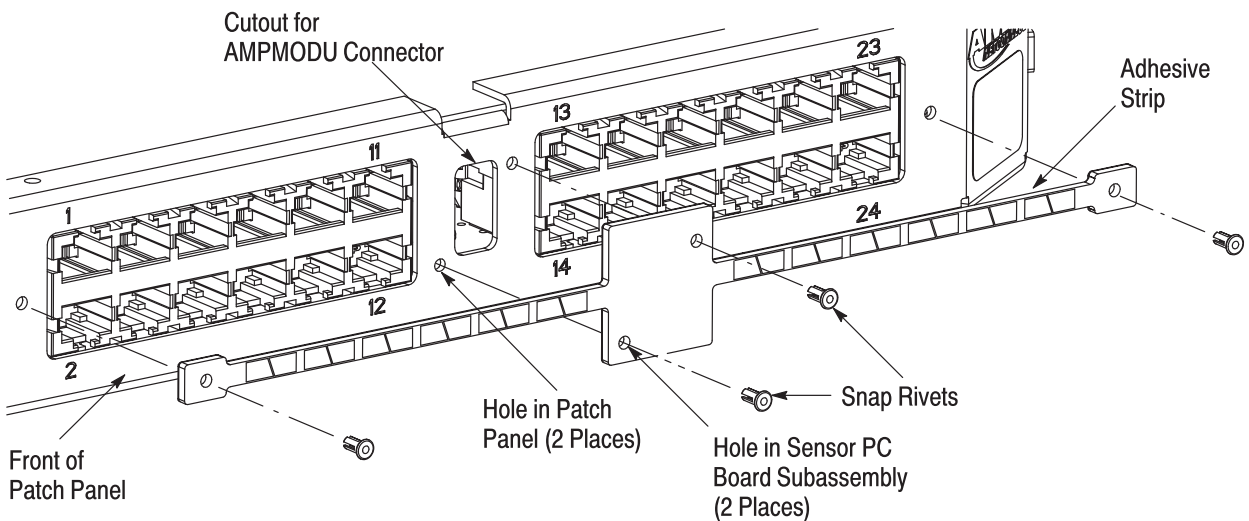


Figure 4