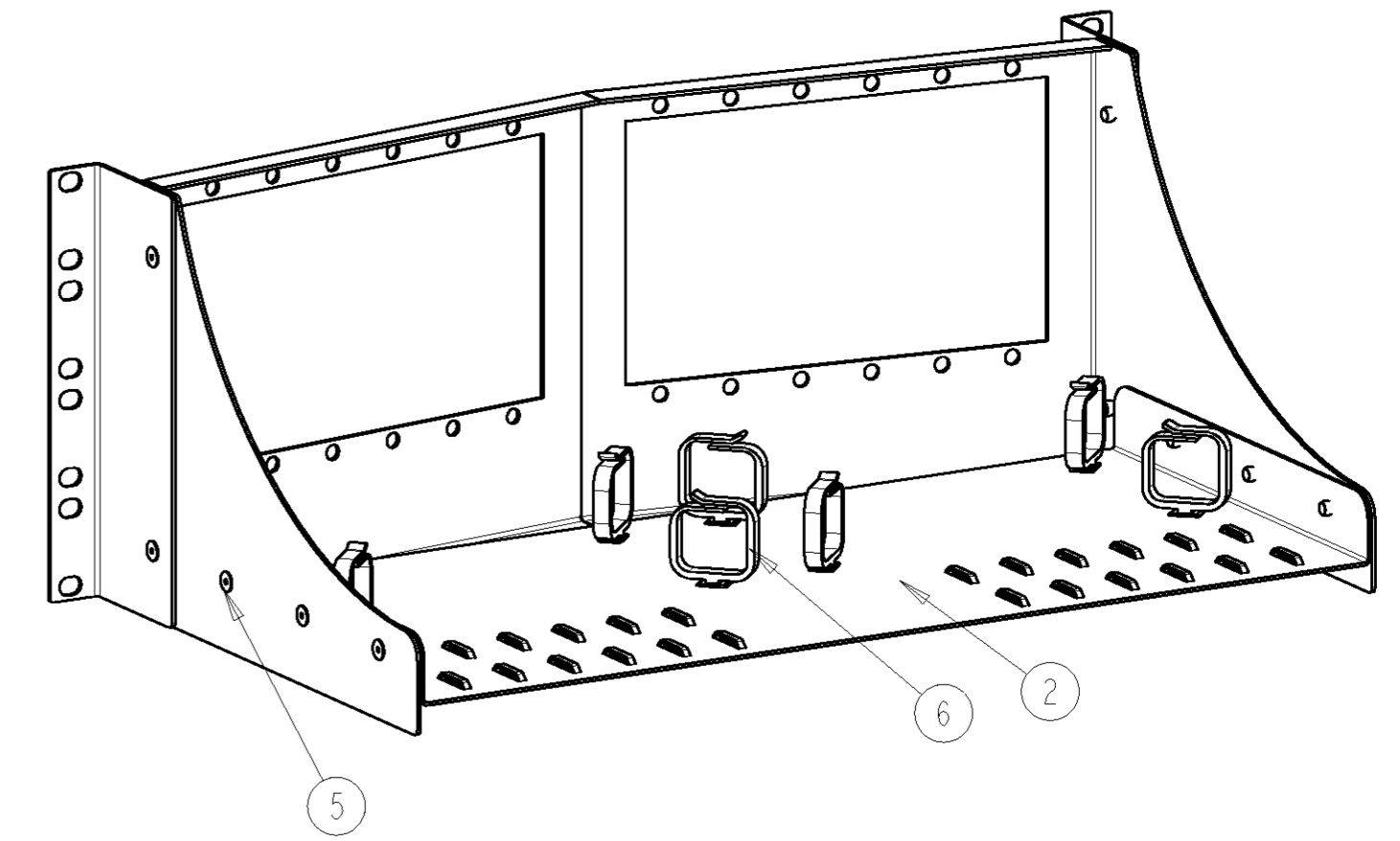
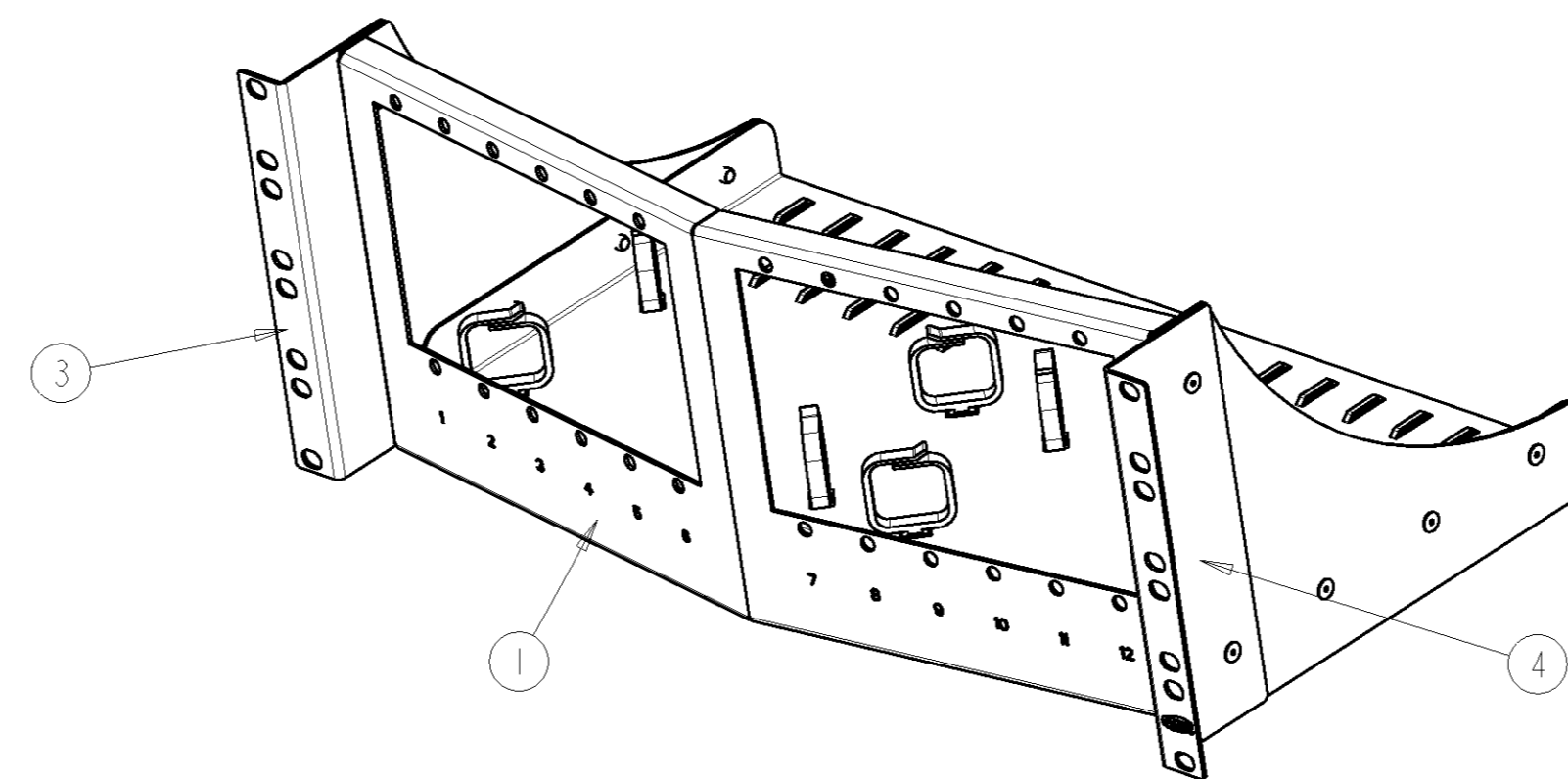


2 SURFACES AND EDGE ARE COPLANAR

- 01 Laser logo and laser text label included in plastic bag.
- 02 Loose components packet in plastic bag.



	1	ASSEMBLY HARDWARE	8
	1	CABLE TIES	7
	8	OPTICAL FIBER NETWORK SADDLE	6
	10	RIVET 4,0 X 7,0 - 4,1 ALU	5
	1	Hi-D 4U MB RIGHT	4
	1	Hi-D 4U MB LEFT	3
	1	Hi-D 4U STORAGE BASKET	2
	1	Hi-D 4U MODULE UNIT	1
	QTY	DESCRIPTION	ITEM
CUSTOMER DRAWING		AMP part N° : 1671055	
DRAWING STATUS	REVISION DESCRIPTION: - CUSTOMER DRAWING FOR STARTEC CREATED		
RELEASED	DRAWING BY NAME: E. MERTENS DATE: 12-OCT-06	DRAWING REVISION BY NAME: H. BLEUS DATE: 07-MAR-08	VOLUME OF MOULDED PART OR AREA OF UNFOLDED SHEETMETAL PART. mm³ / mm²
SCALE: 0500	DRAWING FORMAT A1	DRAWING TITLE	
ISO-SYMBOL 	GENERAL TOLERANCE	Hi-D 4U PANEL	
		DRAWING SHEET, REVISION NUMBER	REVISION
		D_0014783_01_AA	AA
<small>TYCO/Electronics - Raychem N.V. DIESTSESTEENWEG 692 B-3010 HESSEL-LO, BELGIUM</small>			
<small>THIS DRAWING AND INFORMATION SET FORTH HEREON ARE THE PROPERTY OF TYCO/Electronics/Raychem N.V. AND ARE TO BE HELD IN TRUST AND CONFIDENCE. PUBLICATION, DUPLICATION, DISCLOSURE OR USE FOR ANY PURPOSE NOT EXPRESSLY AUTHORIZED IN WRITING BY TYCO/Electronics IS PROHIBITED.</small>			