

1

5

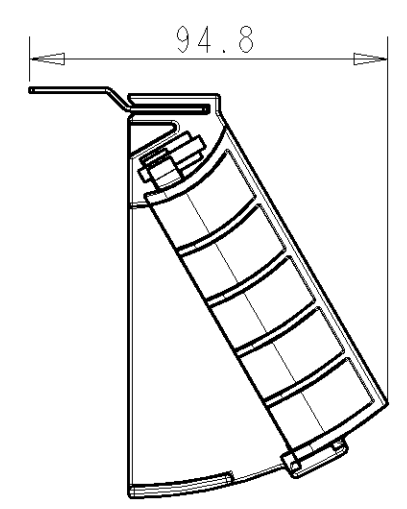
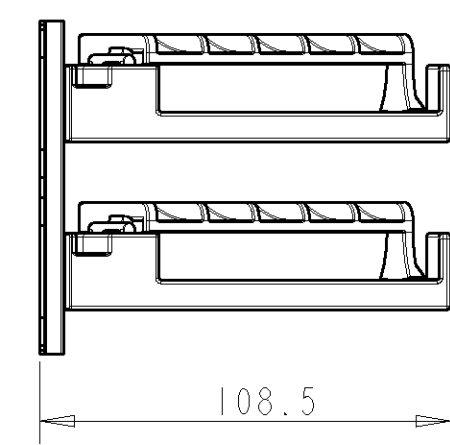
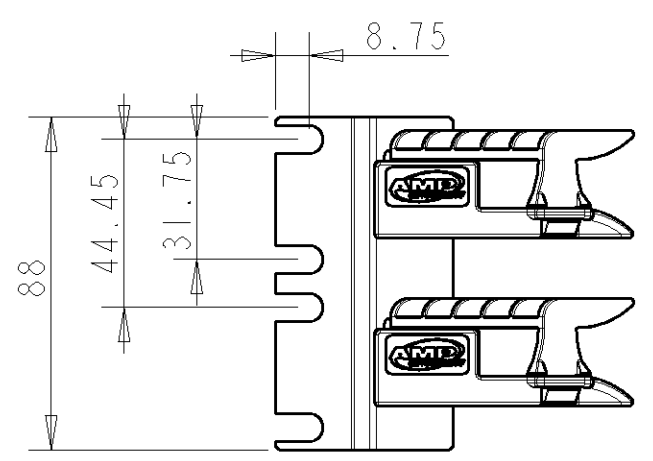
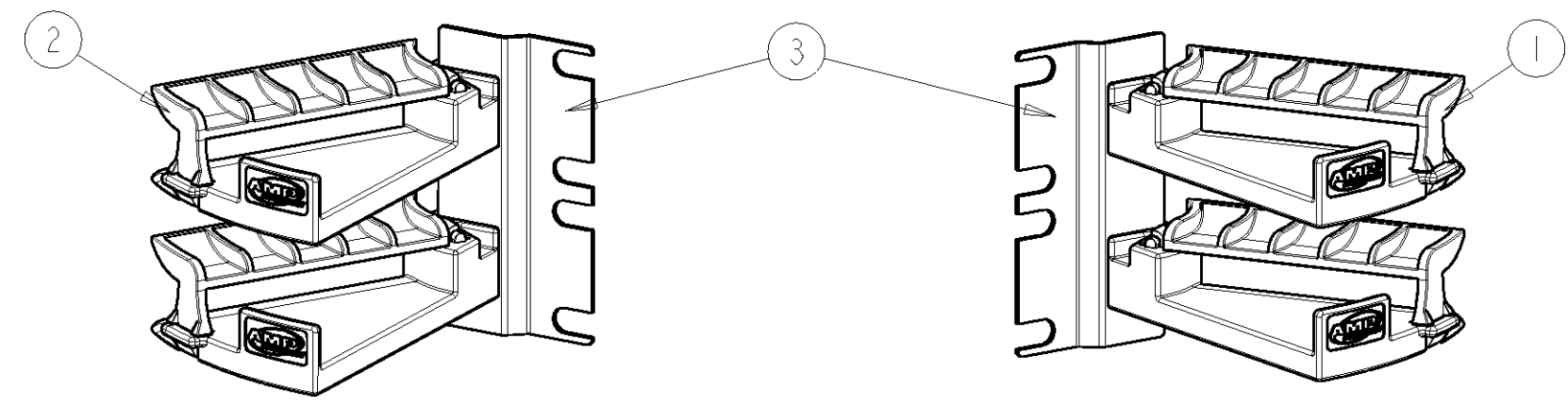
4

2

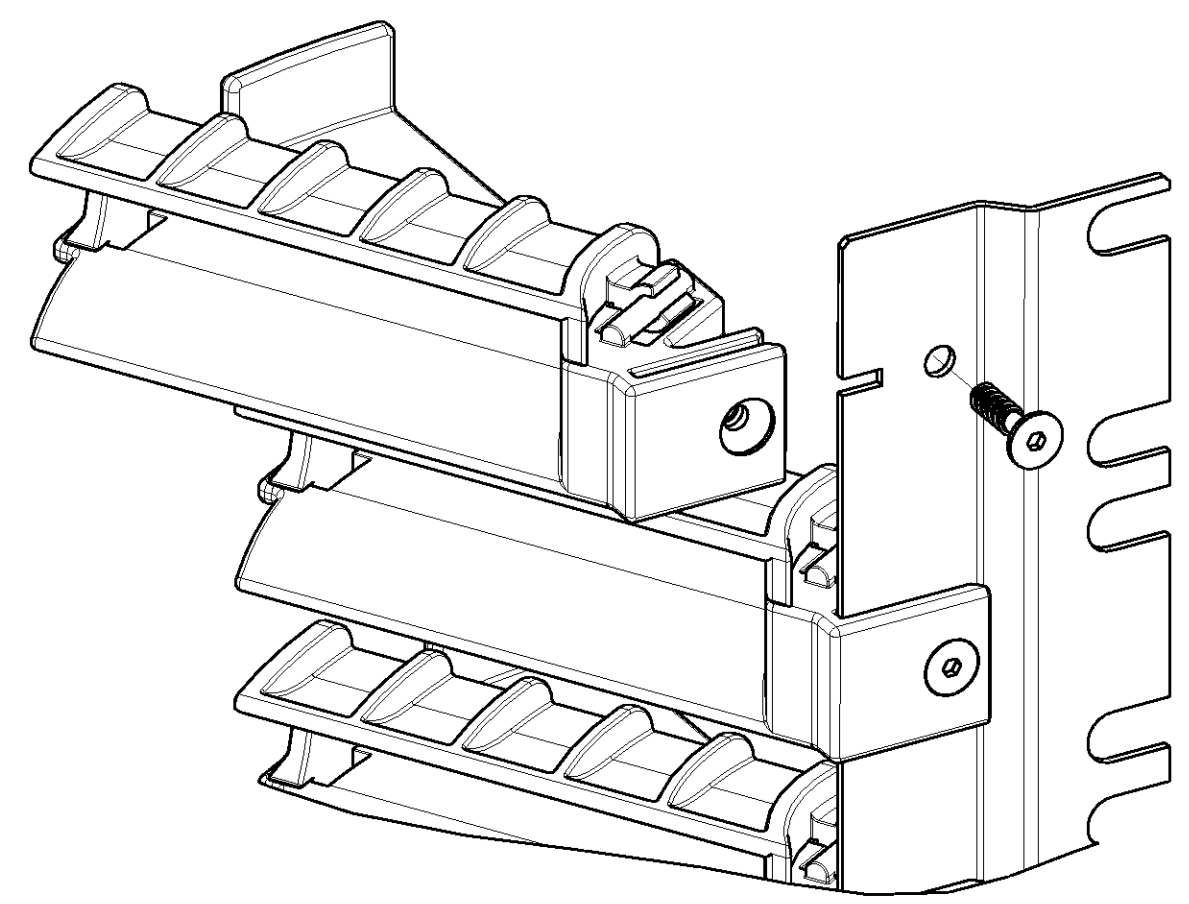
3

2

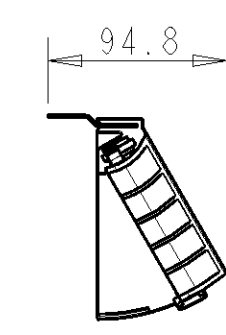
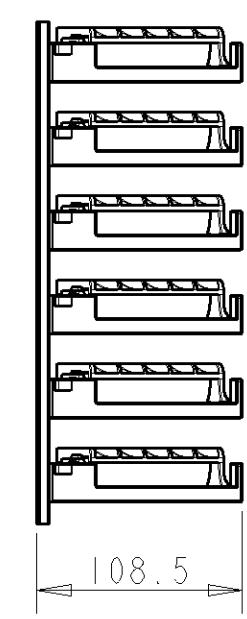
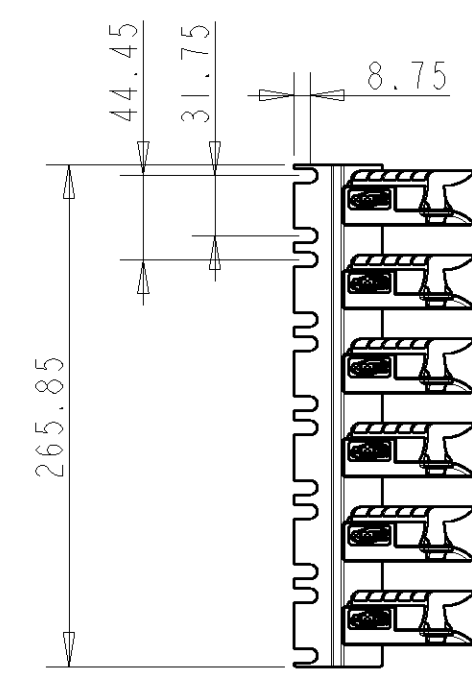
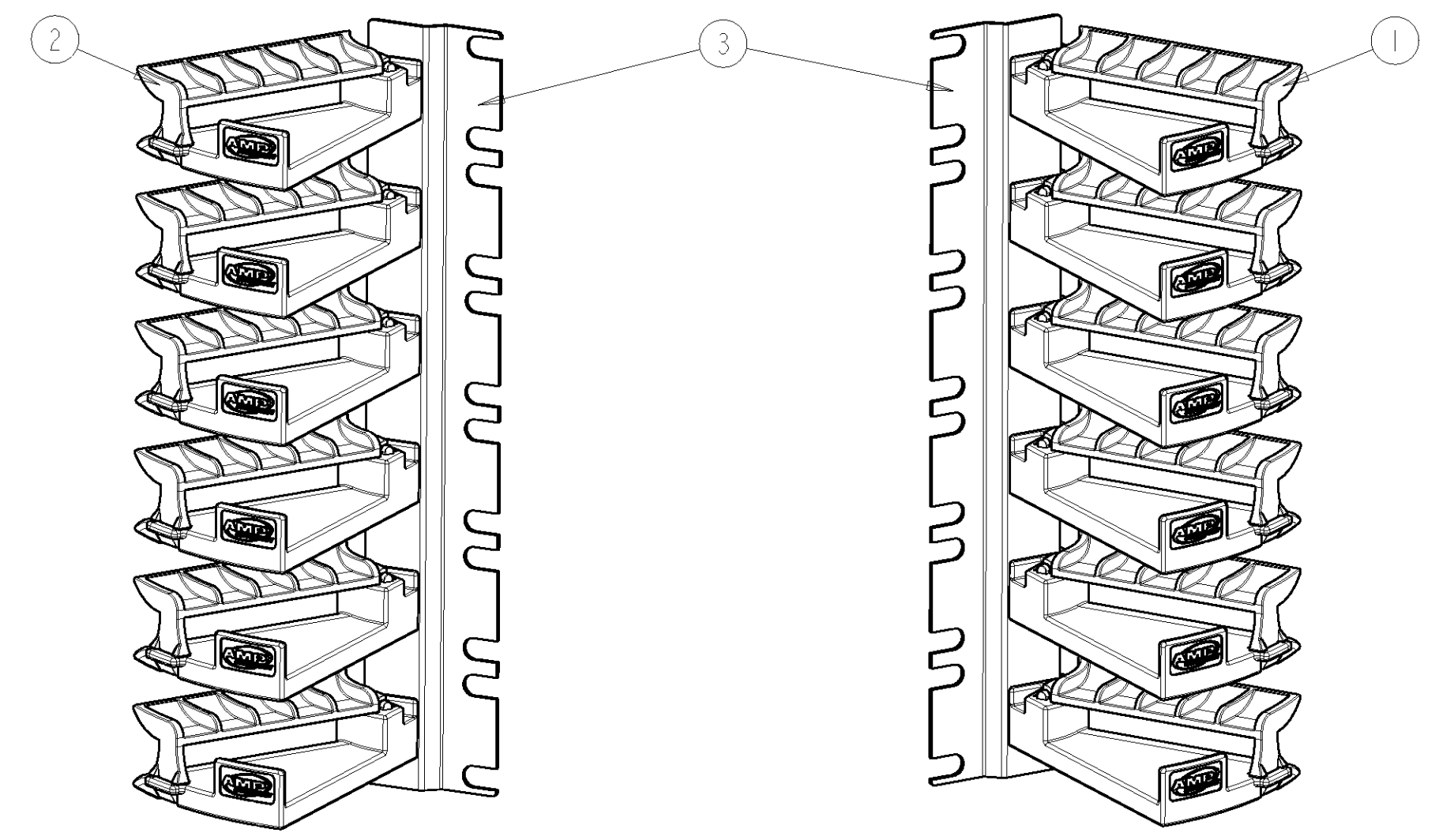
1



2	2	2	0-1671132-2
(3) CB ADAPTION BRACKET 2U QTY	(2) 1U CORNER BRACKET LEFT QTY	(1) 1U CORNER BRACKET RIGHT QTY	PART NUMBER



SCALE 1.000



SCALE 0.250

2	6	6	0-1671132-6
(3) CB ADAPTION BRACKET 6U QTY	(2) 1U CORNER BRACKET LEFT QTY	(1) 1U CORNER BRACKET RIGHT QTY	PART NUMBER

	0-1671132-4	Hi-D CABLE MANAGEMENT 4U	5
	0-1671132-1	Hi-D CABLE MANAGEMENT 1U	4
	1-1671132-5	Hi-D CABLE MANAGEMENT 15U	3
	0-1671132-6	Hi-D CABLE MANAGEMENT 6U	2
	0-1671132-2	Hi-D CABLE MANAGEMENT 2U	1
	PART NUMBER	DESCRIPTION	ITEM

CUSTOMER DRAWING AMP part N° : 1671132

DRAWING STATUS	REVISION DESCRIPTION: - PART NUMBER ADDED		
RELEASED	DRAWING BY NAME: H. BLEUS DATE: 18-JUN-07	DRAWING REVISION BY NAME: R. VANDOREN DATE: 26-JUN-09	VOLUME OF MOULDED PART OR AREA OF UNFOLDED SHEETMETAL PART. mm ³ / mm ²
SCALE: 0.500	DRAWING FORMAT A2	DRAWING TITLE Hi-D CABLE MANAGEMENT (CABINET VERSION)	
ISO-SYMBOL	GENERAL TOLERANCE		



Tyco Electronics - Raychem N.V.
DIESTSESTEENWEG 692
B-3010 KESSEL-LO, BELGIUM

DRAWING SHEET REVISION NUMBER	REVISION
D_0015541_01_AC	AC

THIS DRAWING AND INFORMATION SET FORTH HEREON ARE THE PROPERTY OF TYCO/Electronics/Raychem N.V. AND ARE TO BE HELD IN TRUST AND CONFIDENCE. PUBLICATION, DUPLICATION, DISCLOSURE OR USE FOR ANY PURPOSE NOT EXPRESSLY AUTHORIZED IN WRITING BY TYCO/Electronics IS PROHIBITED.

6

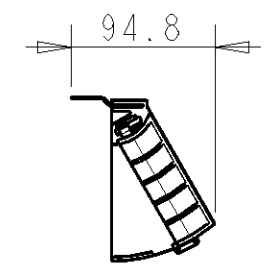
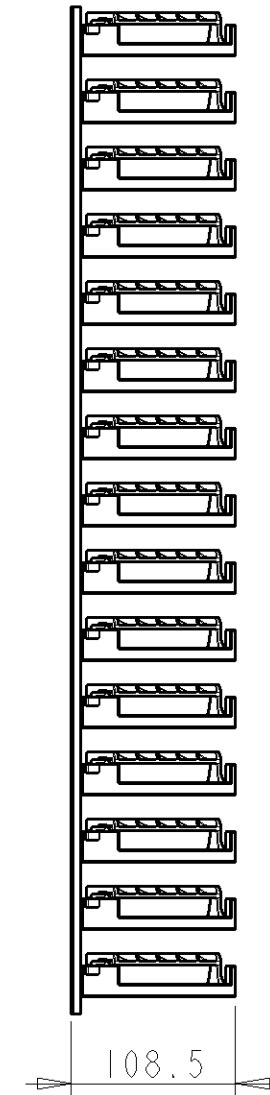
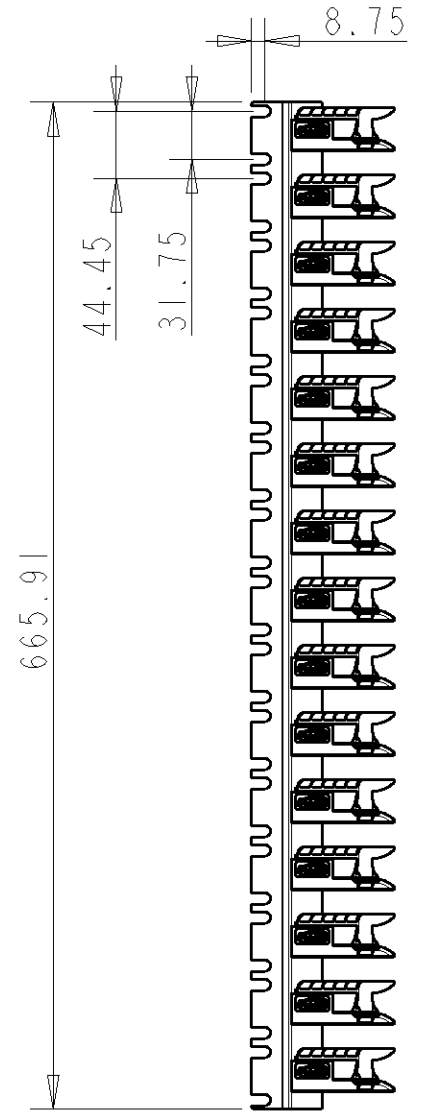
5

4

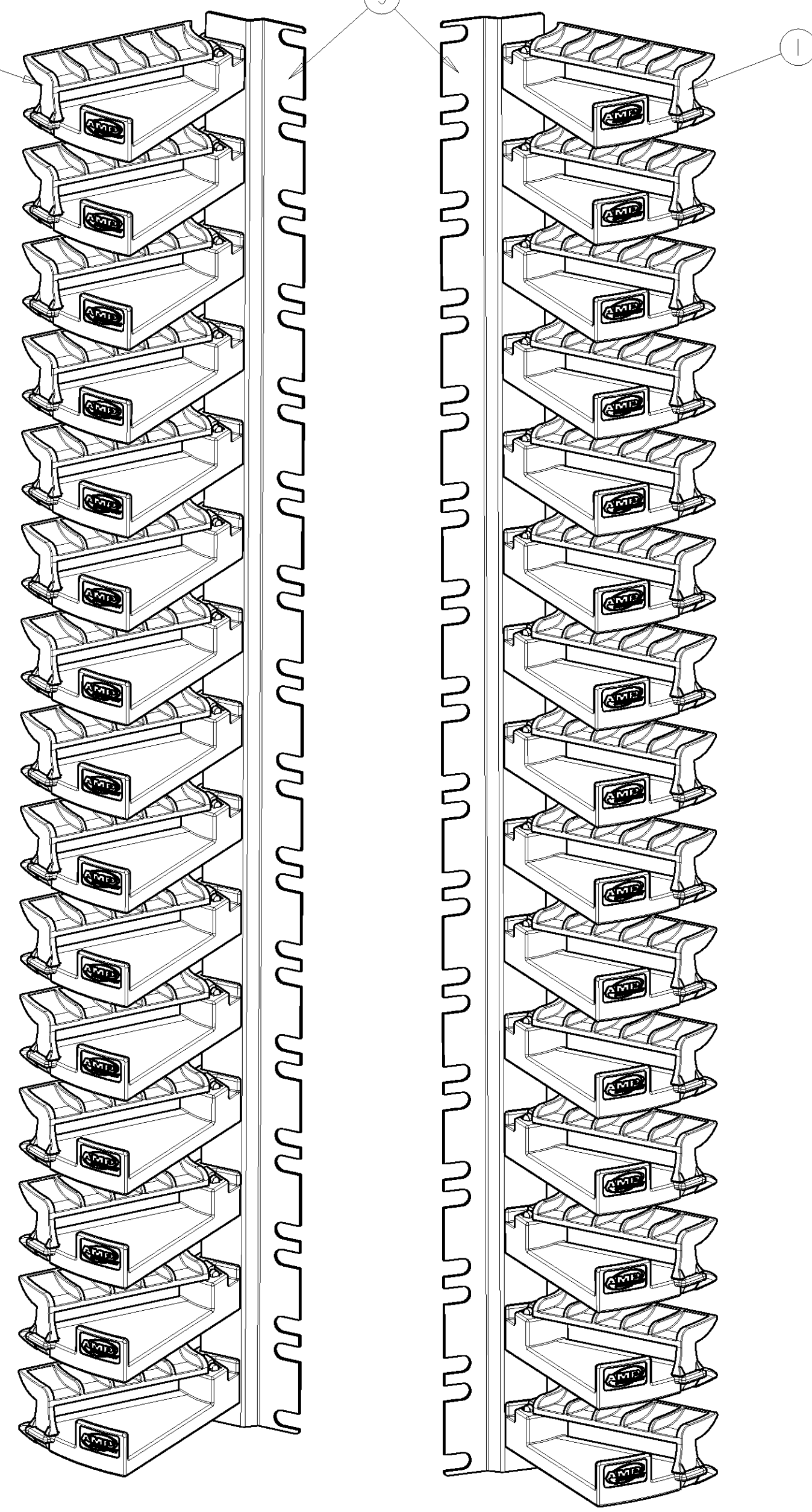
3

2

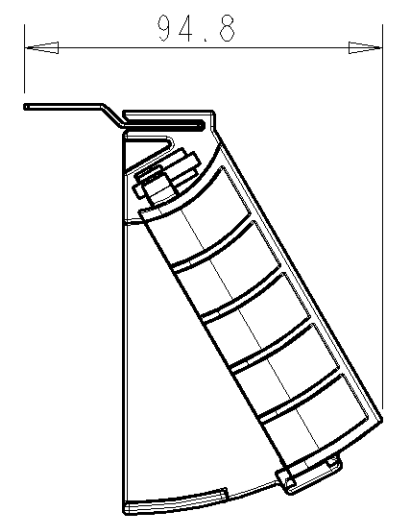
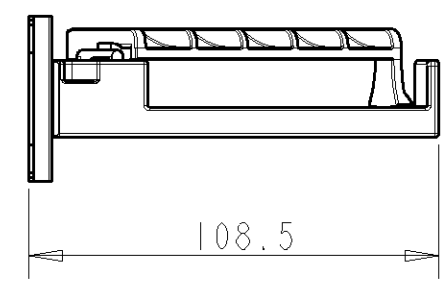
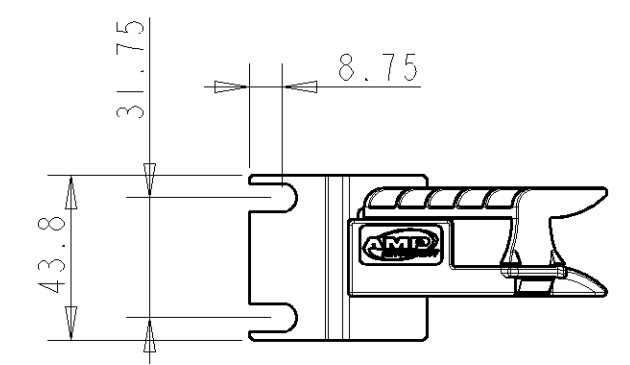
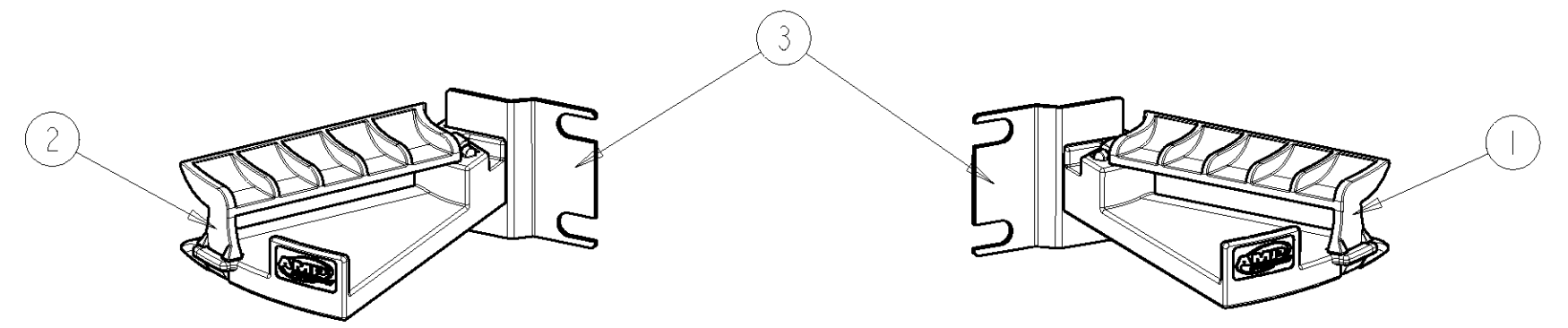
1



SCALE 0.200



2	15	15	1-1671132-5
(3) CB ADAPTION BRACKET 2U QTY	(2) IU CORNER BRACKET LEFT QTY	(1) IU CORNER BRACKET RIGHT QTY	PART NUMBER



2	1	1	0-1671132-1
(3) CB ADAPTION BRACKET 6U QTY	(2) IU CORNER BRACKET LEFT QTY	(1) IU CORNER BRACKET RIGHT QTY	PART NUMBER

	0-1671132-4	Hi-D CABLE MANAGEMENT 4U	5
	0-1671132-1	Hi-D CABLE MANAGEMENT 1U	4
	1-1671132-5	Hi-D CABLE MANAGEMENT 15U	3
	0-1671132-6	Hi-D CABLE MANAGEMENT 6U	2
	0-1671132-2	Hi-D CABLE MANAGEMENT 2U	1
	PART NUMBER	DESCRIPTION	ITEM

CUSTOMER DRAWING AMP part N° : 1671132

DRAWING STATUS	REVISION DESCRIPTION: - PART NUMBER ADDED		
RELEASED	DRAWING BY NAME: H. BLEUS DATE: 18-JUN-08	DRAWING REVISION BY NAME: R. VANDOREN DATE: 26-JUN-09	VOLUME OF MOULDED PART OR AREA OF UNFOLDED SHEETMETAL PART. mm ³ / mm ²

SCALE: 0.500	DRAWING FORMAT A2	DRAWING TITLE Hi-D CABLE MANAGEMENT (CABINET VERSION)	
ISO-SYMBOL	GENERAL TOLERANCE		

	DRAWING SHEET REVISION NUMBER D_0015541_02_AC	REVISION AC
--	---	-----------------------

THIS DRAWING AND INFORMATION SET FORTH HEREON ARE THE PROPERTY OF TYCO/Electronics/Raychem N.V. AND ARE TO BE HELD IN TRUST AND CONFIDENCE. PUBLICATION, DUPLICATION, DISCLOSURE OR USE FOR ANY PURPOSE NOT EXPRESSLY AUTHORIZED IN WRITING BY TYCO/Electronics IS PROHIBITED.

5

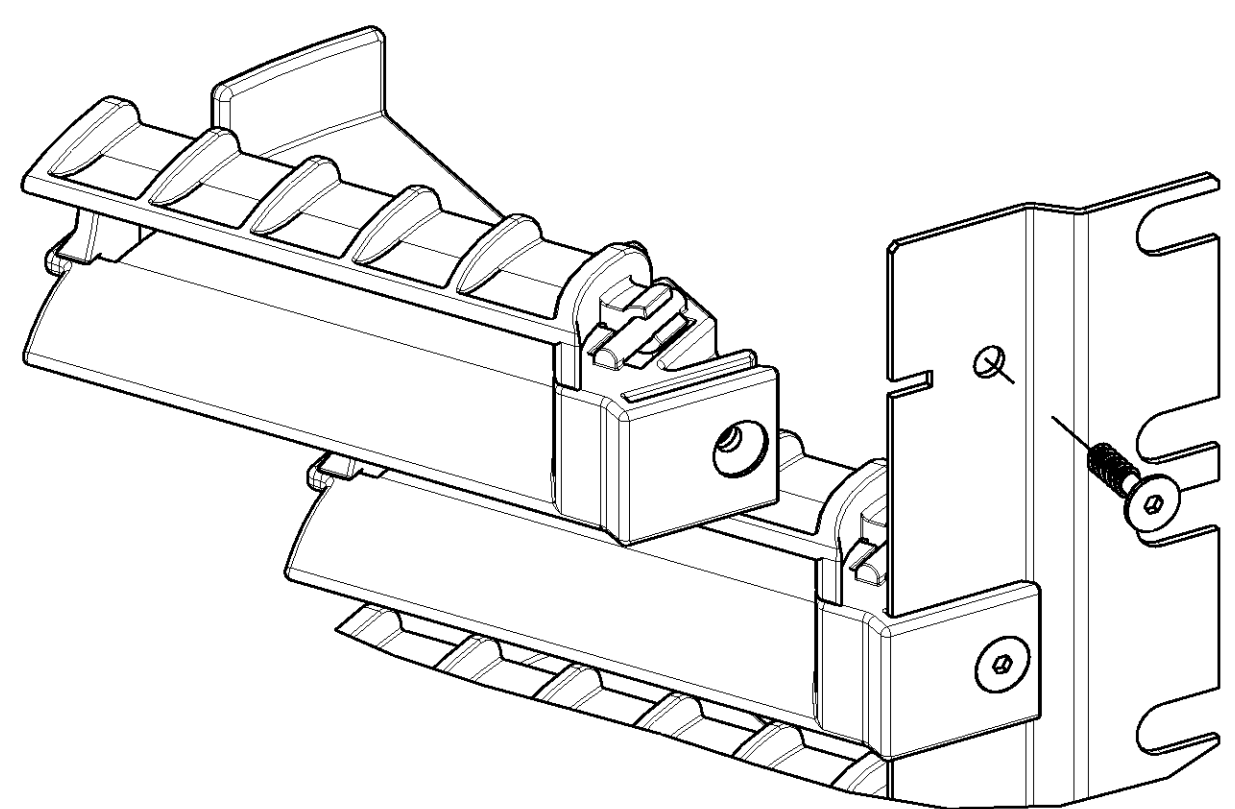
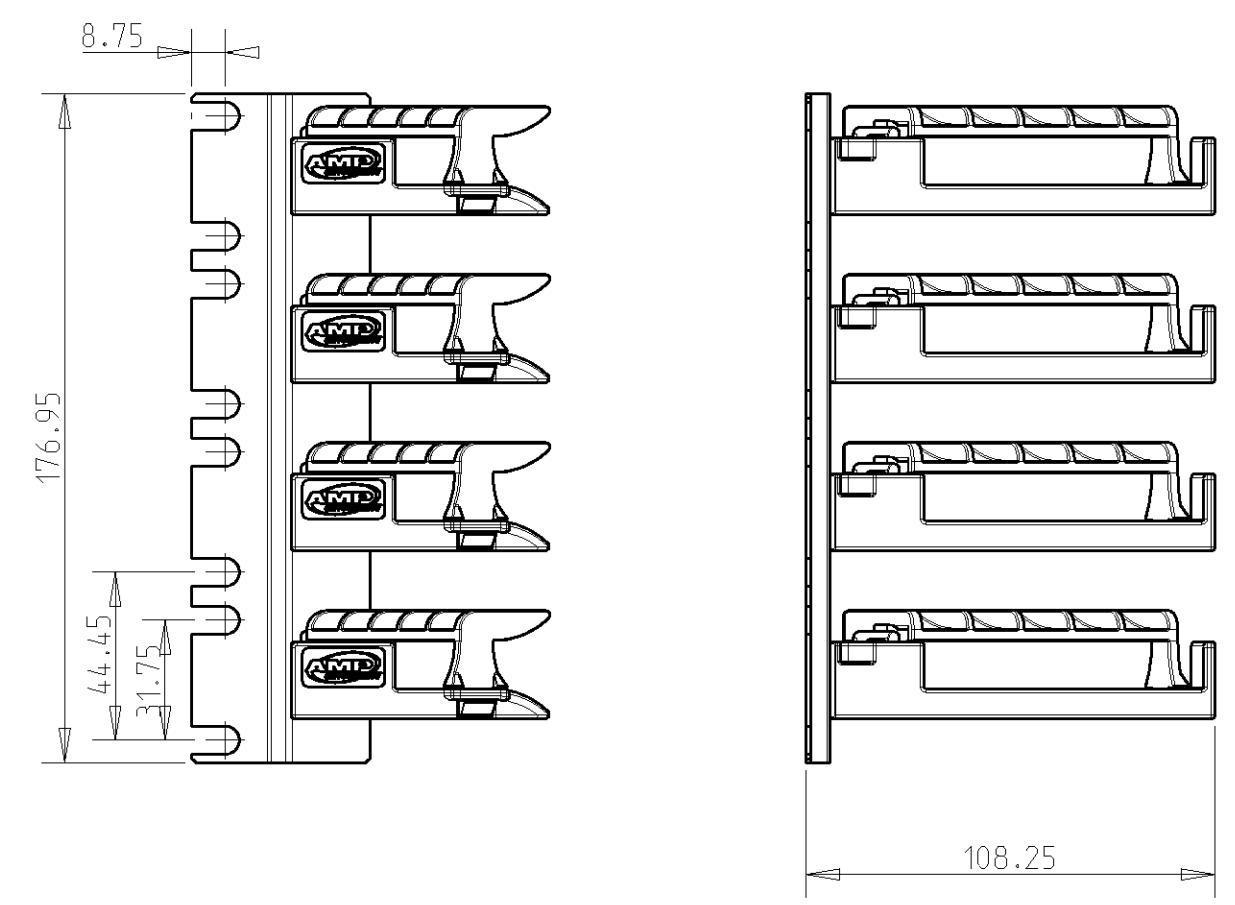
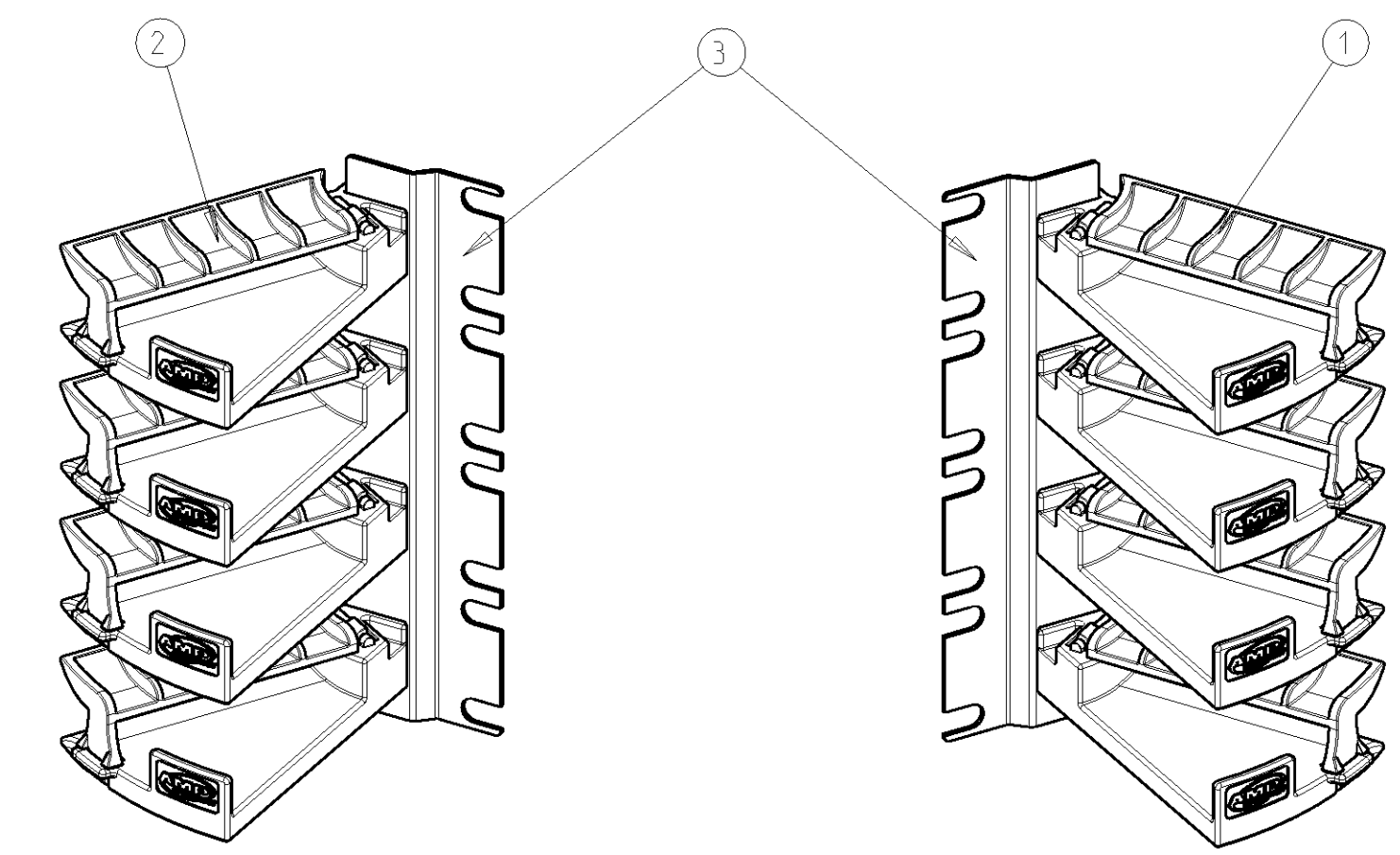
5

4

3

2

1



SCALE 1.000

2	4	4	0-1671132-4
(3) CB ADAPTION BRACKET 2U QTY	(2) 1U CORNER BRACKET LEFT QTY	(1) 1U CORNER BRACKET RIGHT QTY	PART NUMBER

	0-1671132-4	Hi-D CABLE MANAGEMENT 4U	5
	0-1671132-1	Hi-D CABLE MANAGEMENT 1U	4
	1-1671132-5	Hi-D CABLE MANAGEMENT 15U	3
	0-1671132-6	Hi-D CABLE MANAGEMENT 6U	2
	0-1671132-2	Hi-D CABLE MANAGEMENT 2U	1
	PART NUMBER	DESCRIPTION	ITEM

CUSTOMER DRAWING AMP part N° : 1671132

DRAWING STATUS	REVISION DESCRIPTION: - PART NUMBER ADDED		
RELEASED	DRAWING BY	DRAWING REVISION BY	VOLUME OF MOULDED PART OR AREA OF UNFOLDED SHEETMETAL PART. mm ³ / mm ²
	NAME: H. BLEUS DATE: 18-JUN-07	NAME: R. VANDOREN DATE: 26-JUN-09	-

SCALE: 0.500	DRAWING FORMAT: A2	MATERIAL:	DRAWING TITLE
ISO-SYMBOL	GENERAL TOLERANCE		Hi-D CABLE MANAGEMENT (CABINET VERSION)

	DRAWING SHEET REVISION NUMBER: D_0015541_03_AC	REVISION: AC
--	---	---------------------

TYCO/Electronics - Raychem N.V.
DIESTSESTEENWEG 692
B-3010 KESSEL-LO, BELGIUM

THIS DRAWING AND INFORMATION SET FORTH HEREON ARE THE PROPERTY OF TYCO/Electronics/Raychem N.V. AND ARE TO BE HELD IN TRUST AND CONFIDENCE. PUBLICATION, DUPLICATION, DISCLOSURE OR USE FOR ANY PURPOSE NOT EXPRESSLY AUTHORIZED IN WRITING BY TYCO/Electronics IS PROHIBITED.