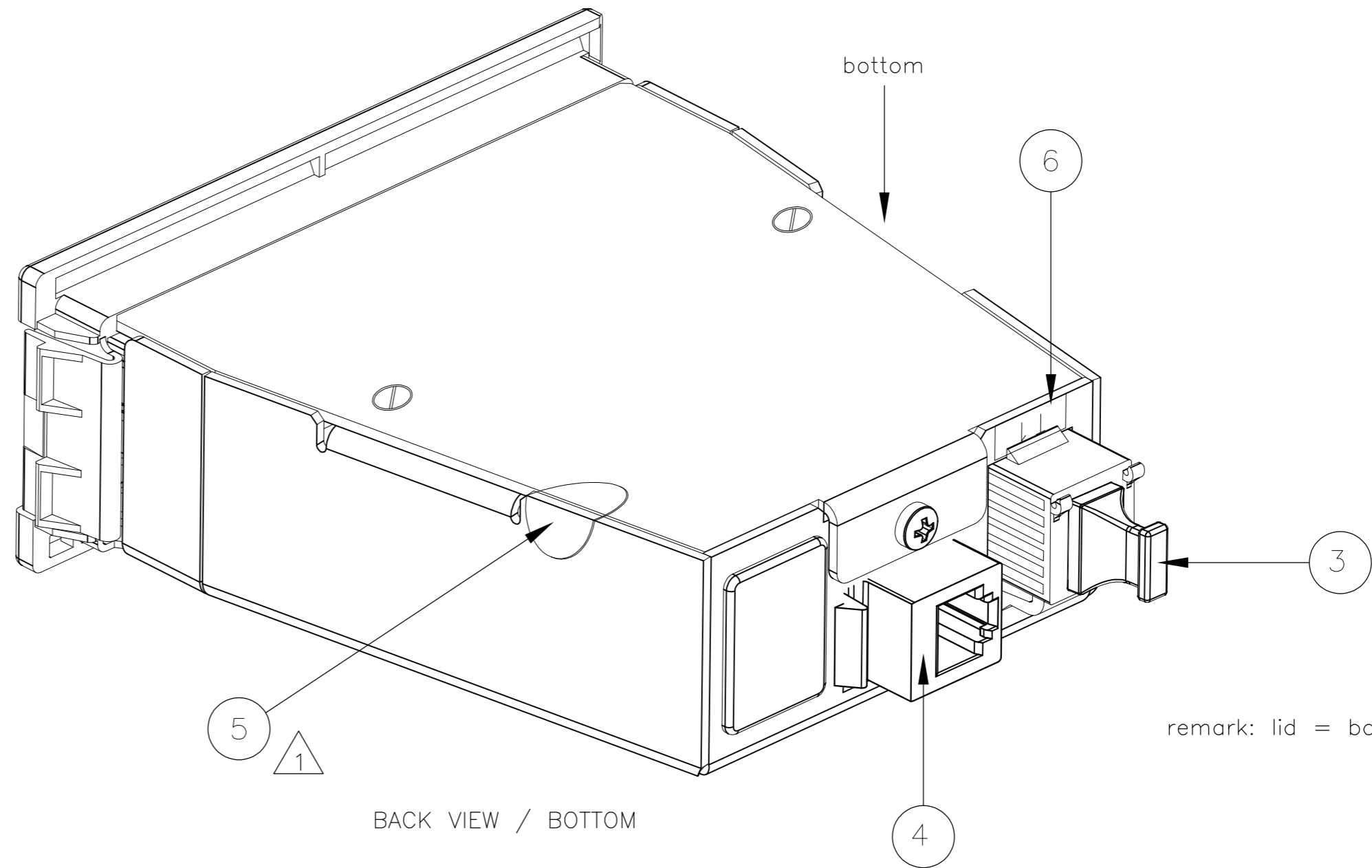
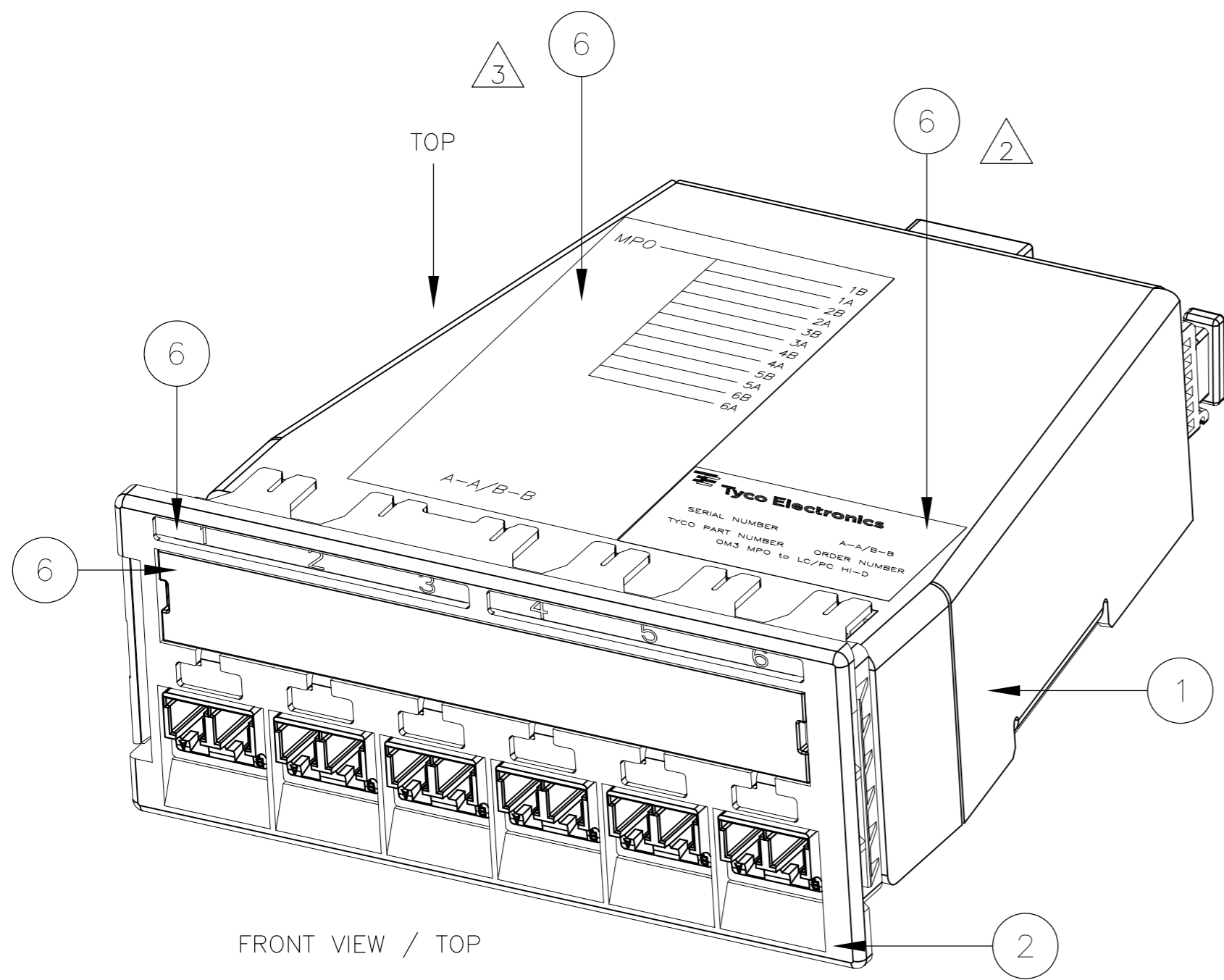


THIS DRAWING IS UNPUBLISHED. RELEASED FOR PUBLICATION
 © COPYRIGHT BY TYCO ELECTRONICS CORPORATION. ALL INTERNATIONAL RIGHTS RESERVED.

| LOC | | DIST | | REVISIONS | | | |
|-----|-----|-------------|-----------------|-----------|-----|------|--|
| P | LTR | DESCRIPTION | | DATE | DWN | APVD | |
| H | - | A | INITIAL RELEASE | 07JUL2010 | MO | MO | |



remark: lid = bottom of cassette.

LC DUSTCAPS NOT SHOWN IN THIS VIEW

OPTICAL PERFORMANCE FOR CASSETTES

- PERFORMANCE EXCEEDS REQUIREMENTS I.S. 11801, TIA/EIA 568.B3
- ATTENUATION ALL MEASURED ACCORDING I.E.C. 61300-3-4; WITH MODAL CONDITION ACCORDING TO: IS 14763-3, OFSTP-14, IEC 61280-4-1
- RETURN LOSS ALL MEASURED ACCORDING I.E.C. 61300-3-6; WITH MODAL CONDITION ACCORDING TO: IS 14763-3, OFSTP-14, IEC 61280-4-1

FOR OM1: ATTENUATION ≤ 1,0dB*, MEASURED BETWEEN REFERENCE CONNECTORS AT 850 nm AND 1300 nm
 (MM62,5) RETURN LOSS ≥ 20dB, MEASURED BETWEEN REFERENCE CONNECTORS AT 850 nm AND 1300 nm

FOR OM2: ATTENUATION ≤ 1,0dB*, MEASURED BETWEEN REFERENCE CONNECTORS AT 850 nm AND 1300 nm
 (MM50) RETURN LOSS ≥ 20dB, MEASURED BETWEEN REFERENCE CONNECTORS AT 850 m AND 1300 nm

FOR OM3: ATTENUATION ≤ 0,75dB*, MEASURED BETWEEN REFERENCE CONNECTORS AT 850 nm
 (MM50) RETURN LOSS ≥ 23dB, MEASURED BETWEEN REFERENCE CONNECTORS AT 850 nm

FOR OS2: ATTENUATION ≤ 1,0dB* MEASURED BETWEEN REFERENCE CONNECTORS AT 1310 m AND 1550 nm
 (SM 9/125) RETURN LOSS ≥ 35dB, MEASURED BETWEEN REFERENCE CONNECTORS AT 1310 nm AND 1550 nm

* CASSETTE LOSS: EACH CASSETTE CONTAINS 2 CONNECTIONS PER FIBER CHANNEL

| PART NUMBER | TYPE | PART NUMBER | ADAPTER COLOR |
|-------------|--------------|-------------|---------------|
| 1671209-1 | MM62.5 (OM1) | 1-1671209-1 | BEIGE |
| 1671209-2 | MM50 (OM2) | 1-1671209-2 | BLACK |
| 1671209-3 | MM50 (OM3)** | 1-1671209-3 | AQUA |
| 1671209-4 | SM (OS2) | 1-1671209-4 | BLUE |

** USE OF MPOptimate VARIANT RECOMMENDED FOR HIGH CONNECTIVITY APPLICATIONS

- 1 WARRANTY VOID IF SEAL IS BROKEN
- 2 LABEL INFORMATION: EXAMPLE:

Tyco Electronics

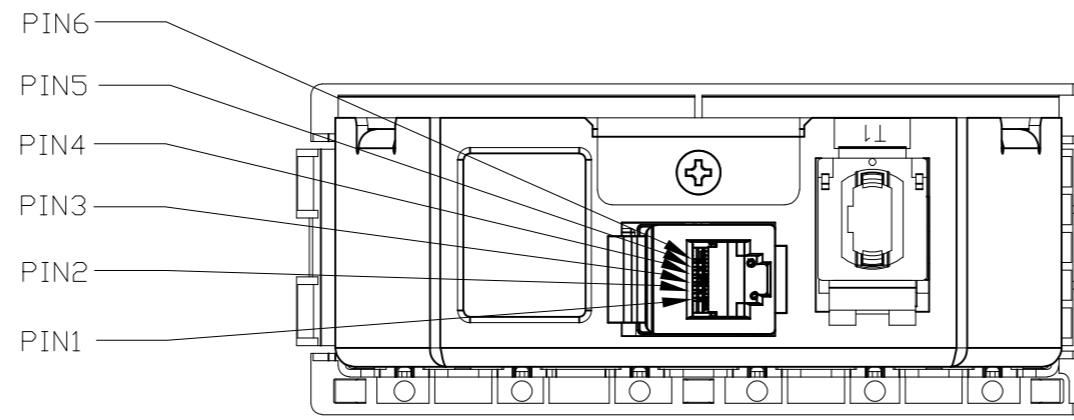
SERIAL NUMBER A-A/B-B
 PART NUMBER ORDER NUMBER
 [FIBER TYPE] MPO to LC/PC HI-D
- 3 INFORMATION LABEL FOR FIBER PATH
- 4 TEST RESULT SHEET SUPPLIED WITH EACH INDIVIDUALLY PACKED CASSETTE

| Qty | Description | Item |
|-----|---|------|
| 5 | INFORMATION LABEL | 6 |
| 1 | FOAC WARRANTY LABEL | 5 |
| 1 | CAT 3 JACK, BLACK | 4 |
| 1 | MPO ADAPTER WITH DUST CAP | 3 |
| 1 | AMPTRAC INTERFACE HOUSING WITH 6 DUPLEX LC ADAPTERS | 2 |
| 1 | QUICK-FIT CASSETTE MODULE WITH COVER, BLACK | 1 |

| | | | | |
|--|--|----------------------------------|---|--|
| THIS DRAWING IS A CONTROLLED DOCUMENT. | | DWN 07-07-2010 M.A.H. Oppers | Tyco Electronics Corporation 's-Hertogenbosch, Nederland | |
| DIMENSIONS: mm | | CHK 07-07-2010 T.v.d. Meulen | NAME M.A.H. Oppers | |
| TOLERANCES UNLESS OTHERWISE SPECIFIED: | | APVD 07-07-2010 M.A.H. Oppers | PRODUCT SPEC | |
| 0 PLC ± - | | APPLICATION SPEC | | |
| 1 PLC ± - | | WEIGHT | | |
| 2 PLC ± - | | SCALE | | |
| 3 PLC ± - | | SHEET | | |
| 4 PLC ± - | | REV | | |
| ANGLES ± - | | CUSTOMER DRAWING | | |
| FINISH | | RESTRICTED TO | | |

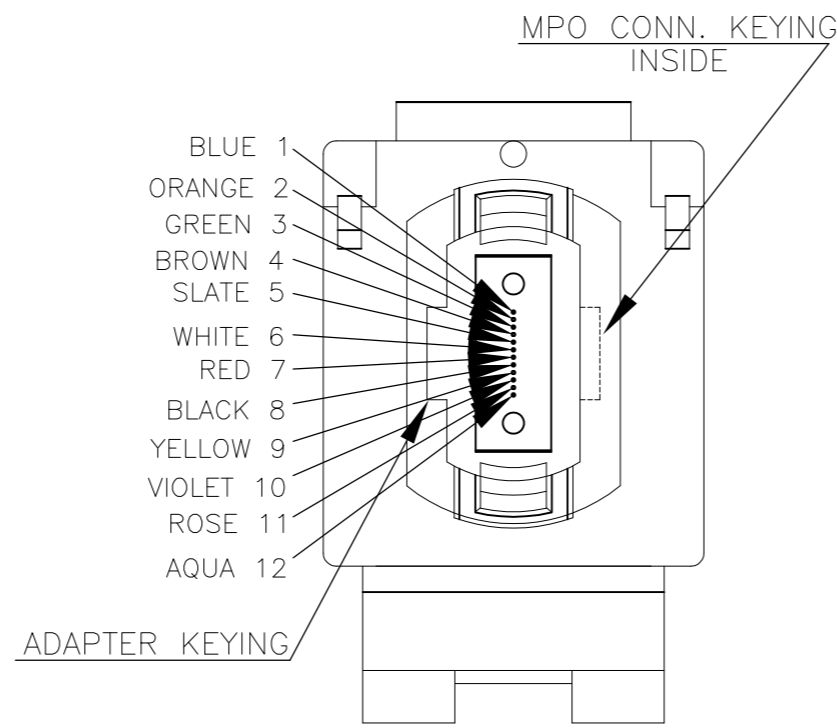
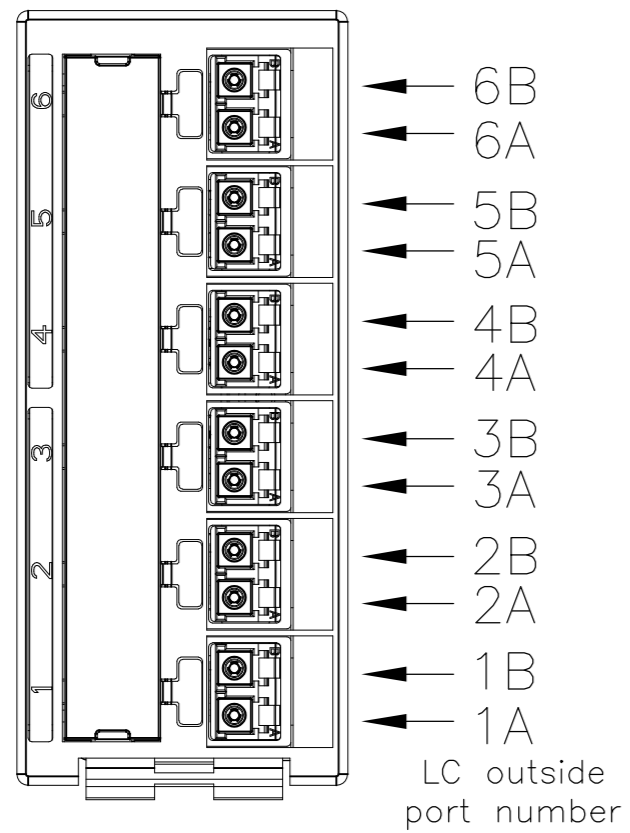
THIS DRAWING IS UNPUBLISHED. RELEASED FOR PUBLICATION
 © COPYRIGHT BY TYCO ELECTRONICS CORPORATION. ALL INTERNATIONAL RIGHTS RESERVED.

| LOC | DIST | REVISIONS | | | | | |
|-----|------|-----------|-----|-------------|------|-----|------|
| | | P | LTR | DESCRIPTION | DATE | DWN | APVD |
| H | - | - | - | SEE SHEET 1 | - | - | - |



wiring diagram - copper

| cat 3 pin | LC duplex port position |
|-----------|-------------------------|
| 1 | 1 |
| 2 | 2 |
| 3 | 3 |
| 4 | 4 |
| 5 | 5 |
| 6 | 6 |
| 7 | - |
| 8 | - |



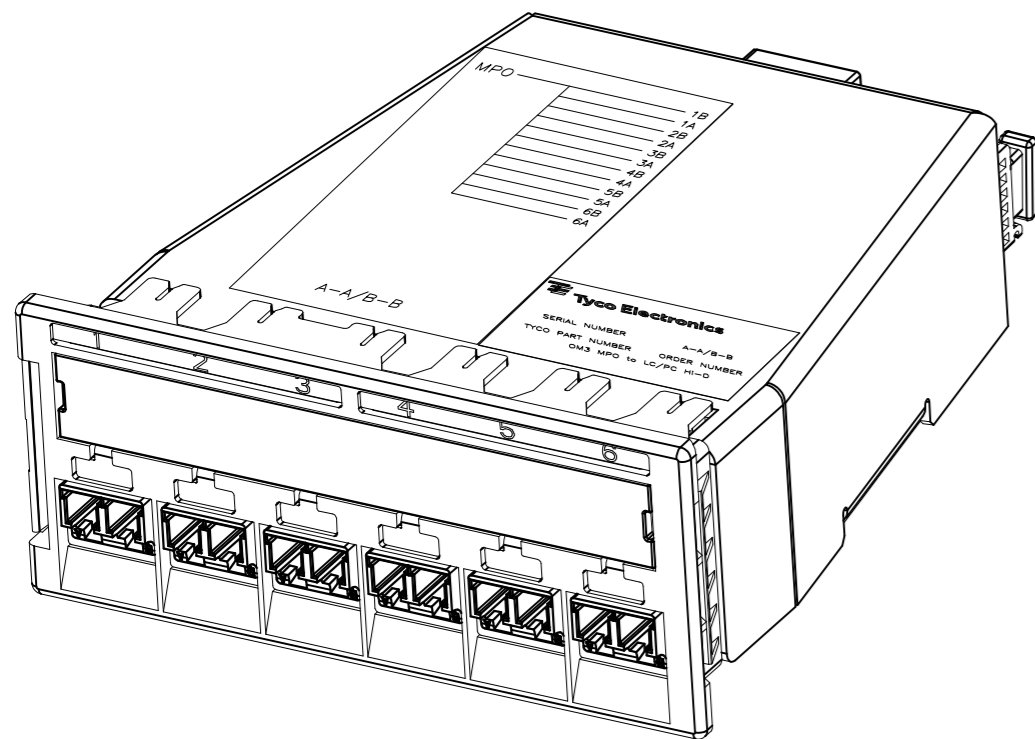
OUTSIDE VIEW MPO ADAPTER
 FIBER POSITION MPO INSIDE

FIBER ROUTING

| CONNECTIVITY STRAIGHT A-A / B-B | | |
|---------------------------------|---|-----|
| LC/PC* | | MPO |
| 1B | ↔ | 1 |
| 1A | ↔ | 2 |
| 2B | ↔ | 3 |
| 2A | ↔ | 4 |
| 3B | ↔ | 5 |
| 3A | ↔ | 6 |
| 4B | ↔ | 7 |
| 4A | ↔ | 8 |
| 5B | ↔ | 9 |
| 5A | ↔ | 10 |
| 6B | ↔ | 11 |
| 6A | ↔ | 12 |

| CONNECTIVITY PAIR FLIPPED A-B / B-A | | |
|-------------------------------------|---|-----|
| LC/PC* | | MPO |
| 1B | ↔ | 1 |
| 1A | ↔ | 2 |
| 2B | ↔ | 3 |
| 2A | ↔ | 4 |
| 3B | ↔ | 5 |
| 3A | ↔ | 6 |
| 4B | ↔ | 7 |
| 4A | ↔ | 8 |
| 5B | ↔ | 9 |
| 5A | ↔ | 10 |
| 6B | ↔ | 11 |
| 6A | ↔ | 12 |

*) = LC port outside



| | | | | |
|---|--|-------------------------------------|---|--------------------|
| THIS DRAWING IS A CONTROLLED DOCUMENT. | | DWN M.A.H. Oppers 07-07-2010 | Tyco Electronics Corporation Tyco Electronics Corporation 's-Hertogenbosch, Nederland | |
| DIMENSIONS: mm | | CHK T.v.d. Meulen 07-07-2010 | NAME AMPTRAC QUICK-FIT FOCASS MPO - 12xLC/PC D | |
| TOLERANCES UNLESS OTHERWISE SPECIFIED: 0 PLC ± - 1 PLC ± - 2 PLC ± - 3 PLC ± - 4 PLC ± - ANGLES ± - | | APVD M.A.H. Oppers 07-07-2010 | DRAWING NO A2 00779 C=1671209 | |
| MATERIAL - | | FINISH - | WEIGHT - | RESTRICTED TO - |
| CUSTOMER DRAWING | | SCALE NTS | SHEET 2 of 2 | REV A |