

THIS DRAWING IS UNPUBLISHED.

RELEASED FOR PUBLICATION

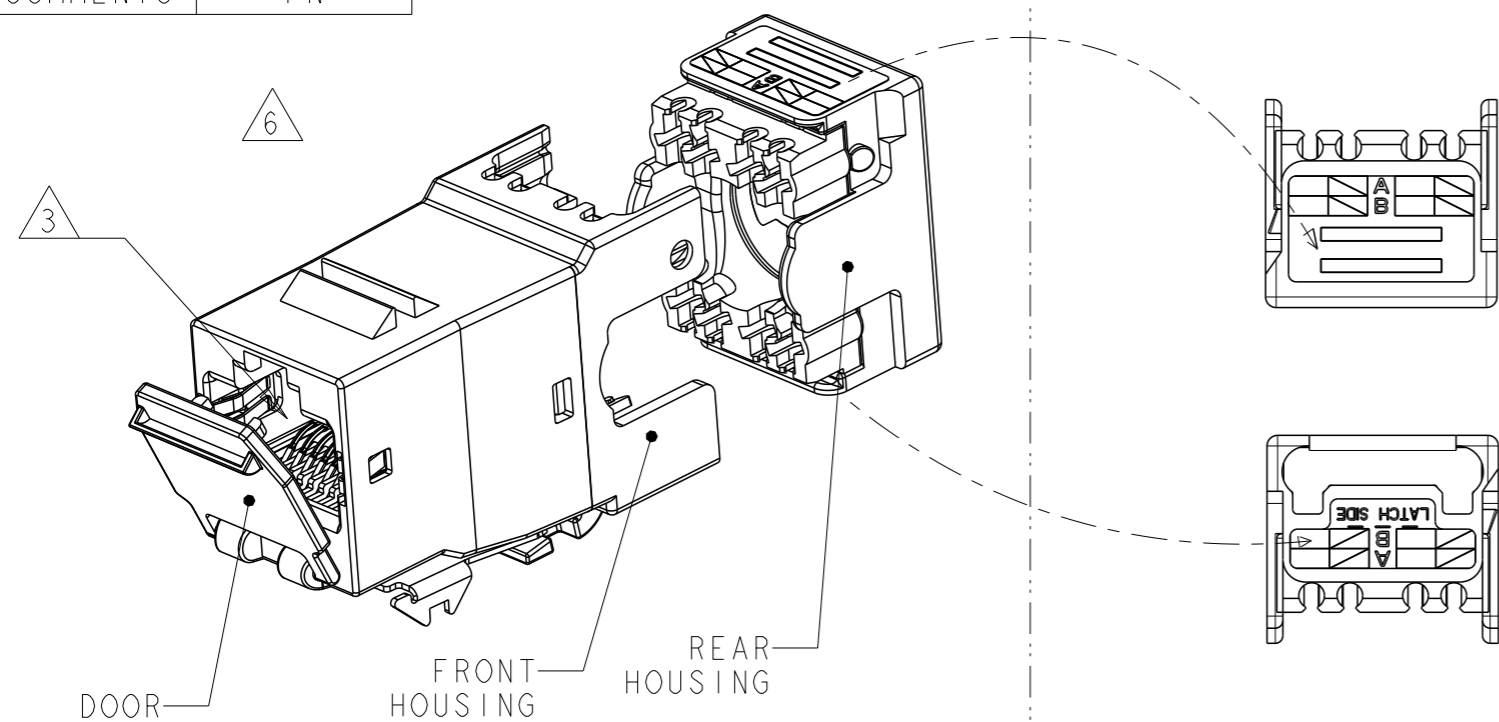
2014

© COPYRIGHT 2004 BY TE Connectivity AMP ESPAÑA, S.L.U ALL RIGHTS RESERVED.

AS SHOWN	1711160-1
COMMENTS	PN

GENERAL VIEW

COLOUR CODING / LABELS



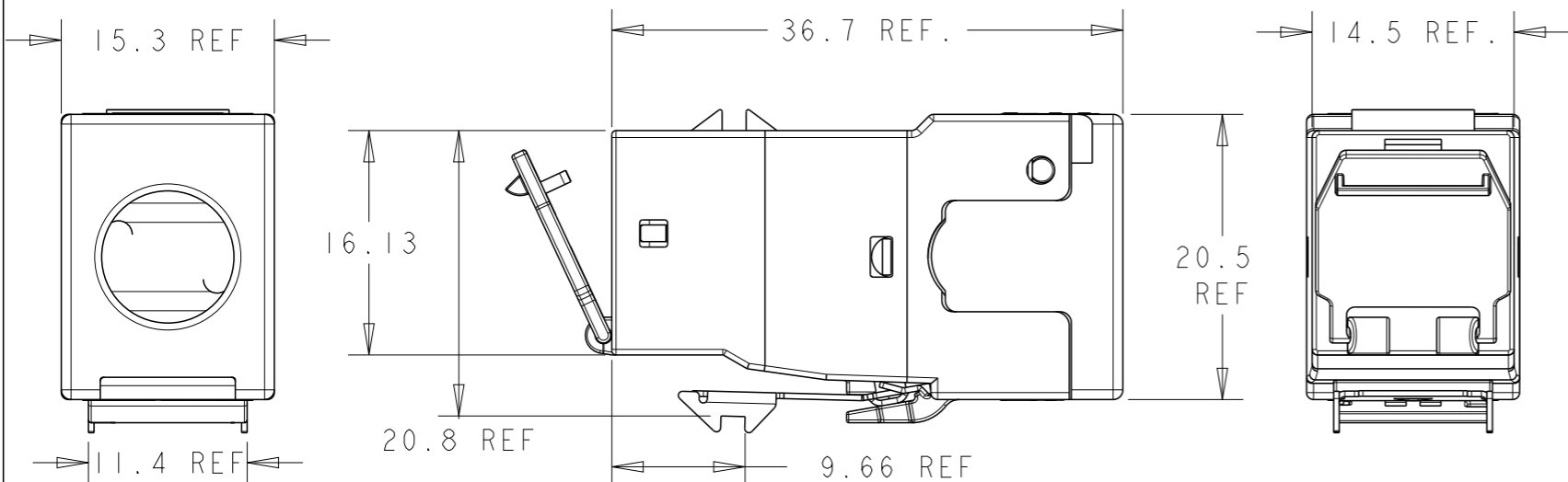
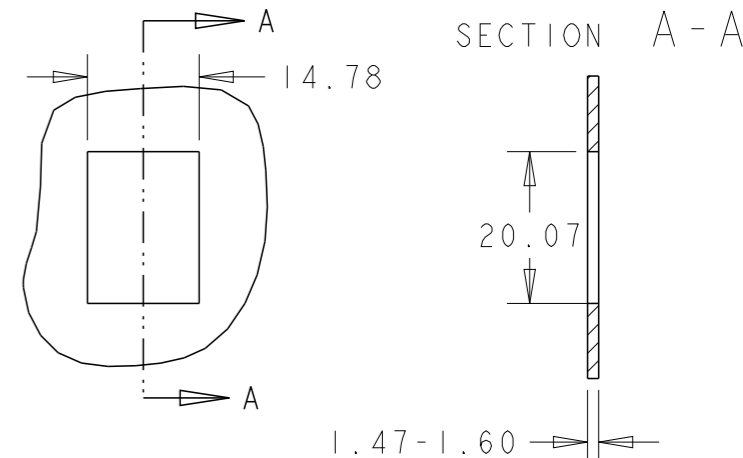
SCALE 2:1

REVISIONS					
P	LTR	DESCRIPTION	DATE	DWN	APVD
	E2	Views/Note 2 (26/Solid)/Note 7>> updated.	02JUL2014	ACG	JS

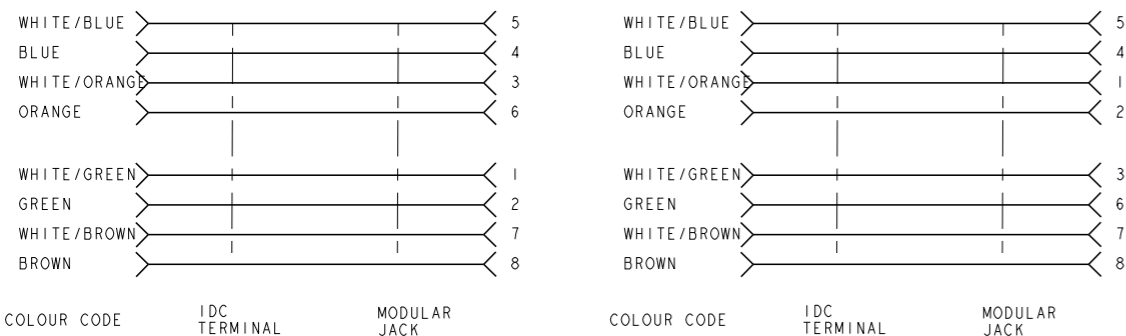
- 1 MATERIAL:
- FRONT AND REAR HOUSING, CABLE CLAMP: ZAMAK 5. (Z410).
  - IDC CONNECT BLOCK, DUST COVER AND LACING FIXTURE: POLYCARBONATE NATURAL.
  - CUTTING BLADE, SPRINGS, LATCH AND SHIELD CONTACT POINT: STAINLESS STEEL.
  - JACK CONTACTS: BERYLLIUM COPPER, PLATED WITH 1.27  $\mu$ m MINIMUM THICK GOLD IN LOCALIZED AREA AND 3.81  $\mu$ m MINIMUM THICK MATTE TIN IN SOLDER AREA OVER 1.27  $\mu$ m MINIMUM THICK NICKEL UNDERPLATE.
  - IDC TERMINALS: PHOSPHOROUS BRONZE, PLATED WITH 3.81  $\mu$ m MINIMUM THICK BRIGHT MATTE TIN OVER 1.27 MINIMUM THICK NICKEL UNDERPLATE.

2. AMP-TWIST-6S SL JACK WILL TERMINATE:
- SOLID CONDUCTORS: 22-24-26 AWG.
  - STRANDED CONDUCTORS: 24-26 AWG.
  - MAX. INSULATION DIAMETER:  $\phi$ 1.60 mm.
  - MAX. CABLE JACKET:  $\phi$ 9.00 mm.
- 3 CAVITY ACCORDING TO IEC 60603-7-5 Ed. 1.0
4. MOUNTING PANEL THICKNESS 1.47-1.60 mm. (SEE SUGGESTED CUTOUT).
- 5 SUGGESTED CUTOUT OPENING.
- 6 PACKAGING: ACCORDING TO SPEC. 107-93003.
7. REFER TO 411-93007 FOR TERMINATION INSTRUCTIONS USING SL SERIES TOOL TERMINATION: SL SERIES JACK TOOL PN 1725150-3.
8. DIMENSIONS SHOWN ARE FOR REFERENCE ONLY.

SUGGESTED CUTOUT: SINGLE APPLICATION



ELECTRICAL SCHEMATIC: WIRING T568 A/B



THIS DRAWING IS A CONTROLLED DOCUMENT.

DIMENSIONS:	TOLERANCES UNLESS OTHERWISE SPECIFIED:
mm	0 PLC ±-
	1 PLC ±-
	2 PLC ±-
	3 PLC ±-
	4 PLC ±-
	ANGLES ±-
MATERIAL	FINISH
-	-
-	-

DWN	04NOV2004
A. CARRERAS	
CHK	04NOV2004
L. de DIOS	
APVD	02NOV2006
J. SANABRA	
PRODUCT SPEC	SEE TABLE
APPLICATION SPEC	411-93007
WEIGHT	-
Customer Drawing	

<b>STE</b> TE Connectivity		NAME	
		AMP-TWIST 6S SL JACK REAR EXIT	
SIZE	CAGE CODE	DRAWING NO	RESTRICTED TO
A3	-	©-1711160	-
SCALE 2:1		SHEET 1 OF 1	REV E2

108-93044	1711160-2
108-93003	1711160-1
PRODUCT SPEC.	PN-DASH