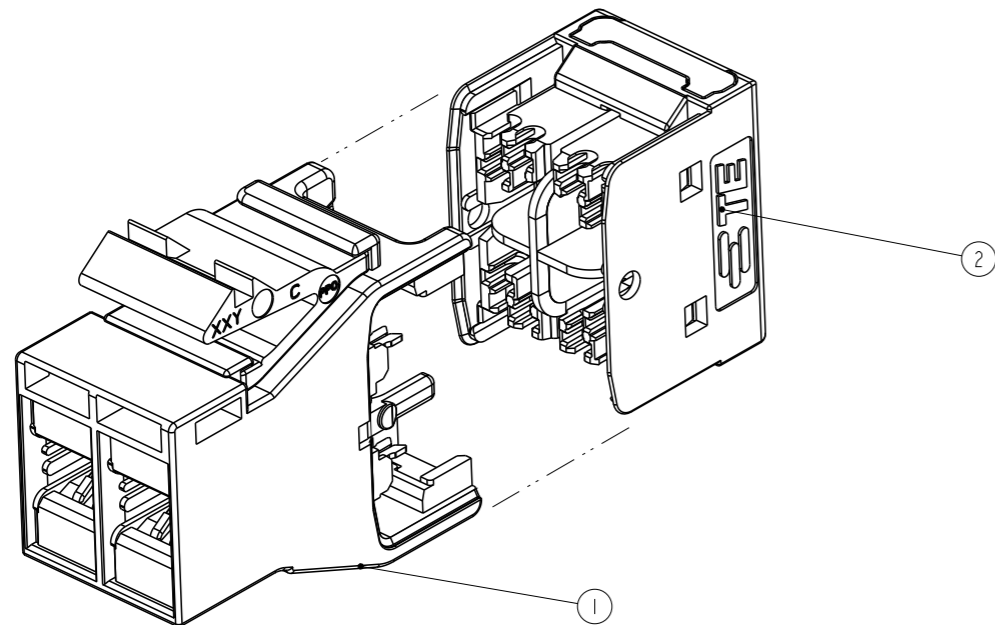


LOC	DIST	REVISIONS					
		P	LTR	DESCRIPTION	DATE	DWN	APVD
1K	2		B	ECR-13-000227	15JAN2013	RM	JS



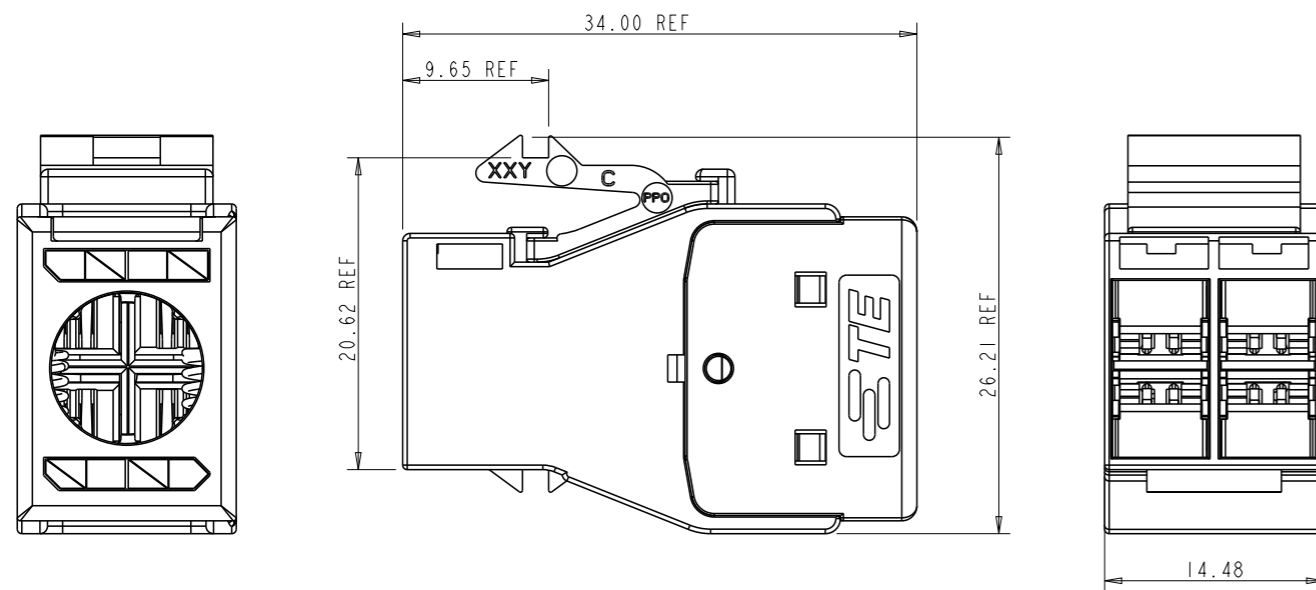
SCALE 2:1

1. PACKAGING: ONE JACK IN A BLISTER BOX (INCLUDING INSTRUCTION SHEET 411-93013). TEN BLISTER BOX IN A CARTON BOX (INCLUDING TWO TOOL SUPPLEMENT). 200 JACKS IN A SHIPPING BOX ACCORDING.

2. ITEMS SHIPPED NOT ASSEMBLED.

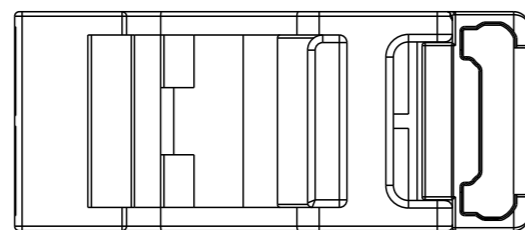
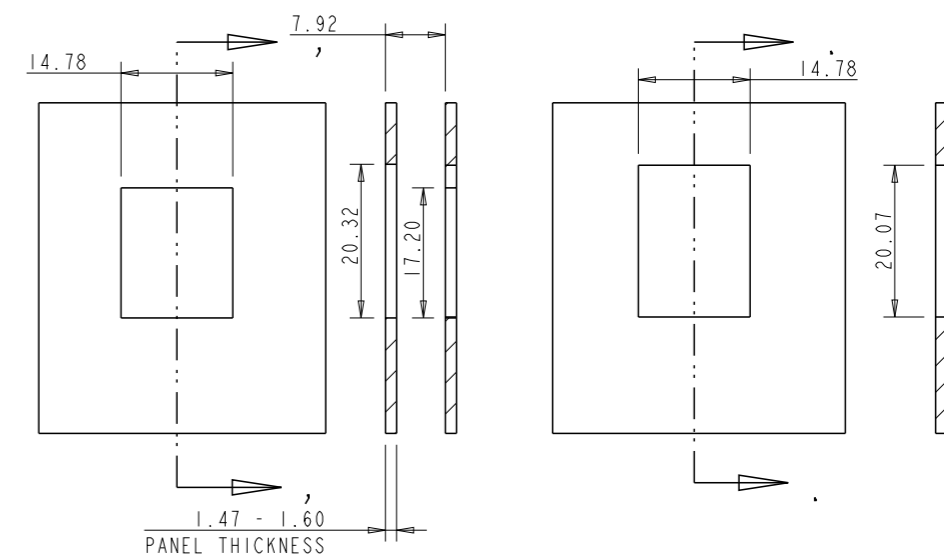
3. PACKAGING:
 PRIMARY PACKAGING: PVC TRAY INCLUDING 12 JACKS.
 TWO PVC TRAYS IN A CARTON BOX WITH ONE INSTRUCTION SHEET 411-93013.
 DASH 7--1: 24 JACKS (2 TRAYS + 1 INSTRUCTION SHEET PER BOX) WITH CORRESPONDING LABEL.
 360 JACKS IN A SHIPPING BOX ACCORDING.

4. AMP-TWIST 7AS SL JACK WILL TERMINATE:
 • SOLID CONDUCTORS: 22-24 AWG.
 • MAX. INSULATION DIAMETER: \varnothing 1.60 mm
 • MAX. CABLE JACKET DIAMETER: \varnothing 9.00 mm





SUGGESTED FLUSH MOUNT
PANEL APPLICATION CUTOUT

SINGLE PANEL CUTOUT



SCALE 2:1

1	1	SUBASSY REAR HOUSING	2
1	1	SUBASSY FRONT HOUSING WITHOUT DUST COVER	1
7--1	3		
	1		
		DESCRIPTION	ITEM

THIS DRAWING IS A CONTROLLED DOCUMENT.		DWN R. MATEO 02AUG2007	 TE Connectivity	
DIMENSIONS: mm		CHK A. PUELL 02AUG2007		
TOLERANCES UNLESS OTHERWISE SPECIFIED:		APVD J. SANABRA 06FEB2008	NAME AMP-TWIST 7AS SL JACK WITHOUT DUST COVER	
		PRODUCT SPEC 108-93019	RESTRICTED TO	
MATERIAL		APPLICATION SPEC 411-93013	SIZE A3	CAGE CODE -
FINISH		WEIGHT -	DRAWING NO C-1711437	
		Customer Drawing	SCALE	SHEET 1 OF 1
				REV B