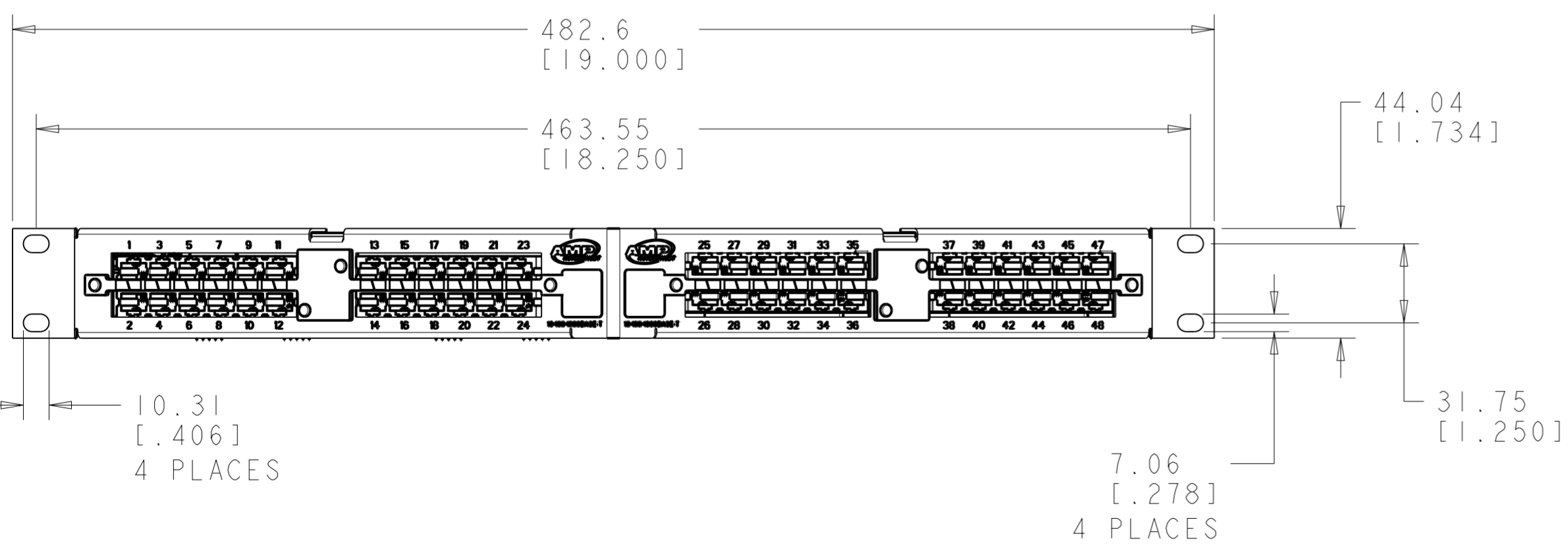
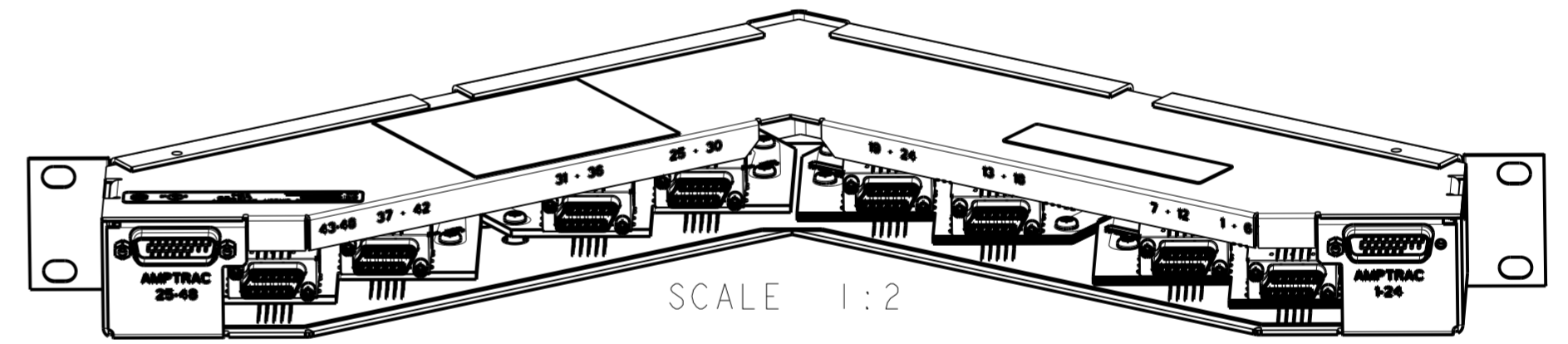
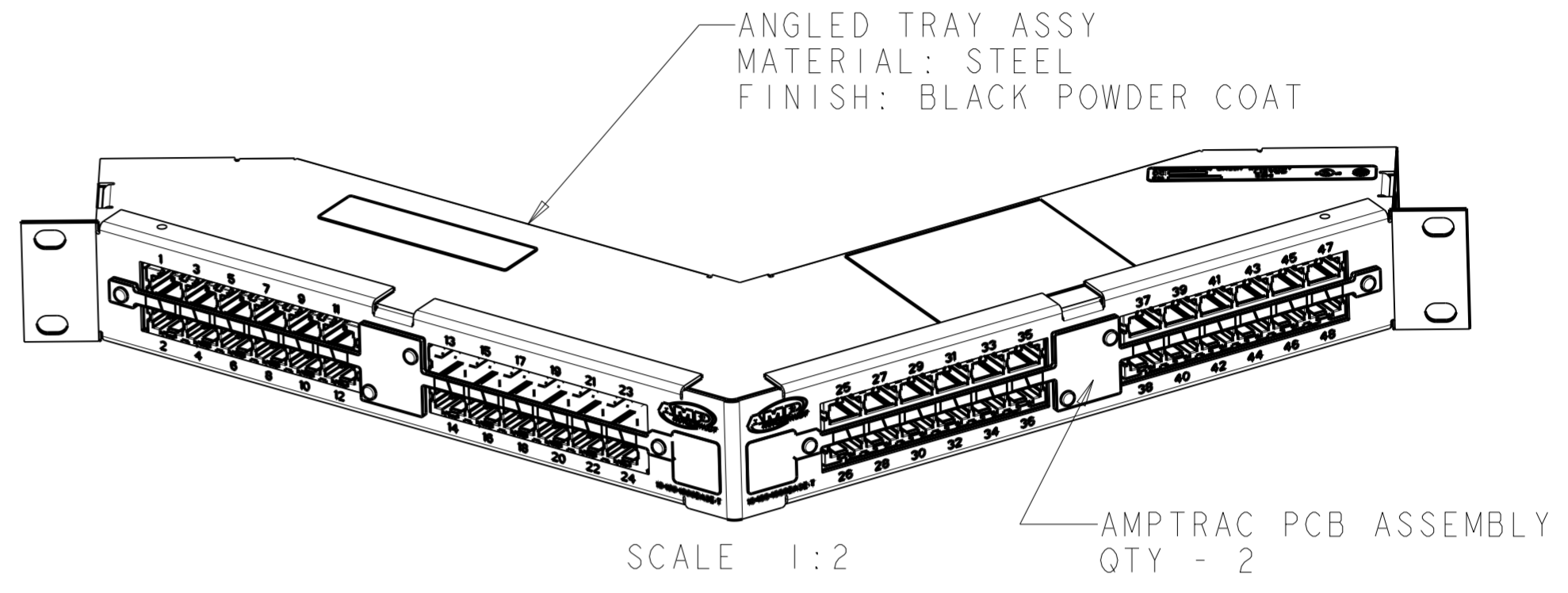
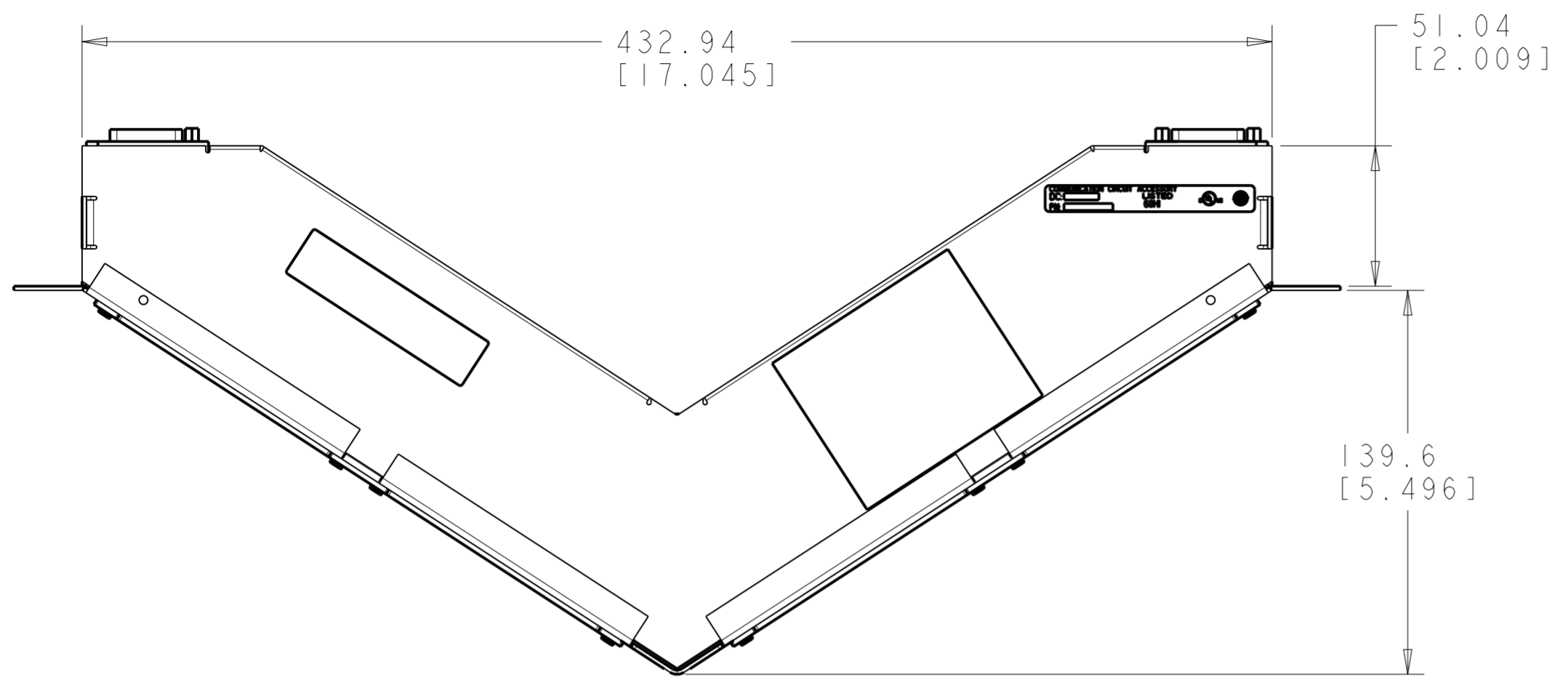


THIS DRAWING IS UNPUBLISHED. RELEASED FOR PUBLICATION 20  
 © COPYRIGHT 20 BY - ALL RIGHTS RESERVED.

REVISIONS					
P	LTR	DESCRIPTION	DATE	DWN	APVD
	DI	ECO-14-009914	30JUN2014	JM	SH



⚠ THE FOLLOWING ITEM(S) WILL BE BAGGED AND SHIPPED WITH UNIT. ITEMS NOT SHOWN.

FOUR BLACK 12-24 x 12.7 [.500] LONG STEEL, CROSSED RECESSED SCREWS FOR MOUNTING OF PANEL.

INSTRUCTION SHEET 408-8963

1777053-1  
 PART NUMBER

THIS DRAWING IS A CONTROLLED DOCUMENT.		DWN A. KINKA 07APR2005	TE Connectivity	
DIMENSIONS: MM/INCHES		CHK B. SOURBEER 07APR2005		
TOLERANCES UNLESS OTHERWISE SPECIFIED:		APVD B. BARRY 07APR2005	NAME MRJ 21, 48 PORT, 1U ANGLED PATCH PANEL 10-100-1000 BASE-T, AMPTRAC	
0 PLC ± 1 PLC ± 2 PLC ±.02 3 PLC ±.010 4 PLC ± ANGLES ± FINISH		PRODUCT SPEC -	SIZE CAGE CODE DRAWING NO RESTRICTED TO	
MATERIAL STEEL		APPLICATION SPEC -	A200779 C-1777053	
POWDER COAT		WEIGHT 4.01 lb	SCALE 1:2 SHEET OF REV DI	
		CUSTOMER DRAWING		