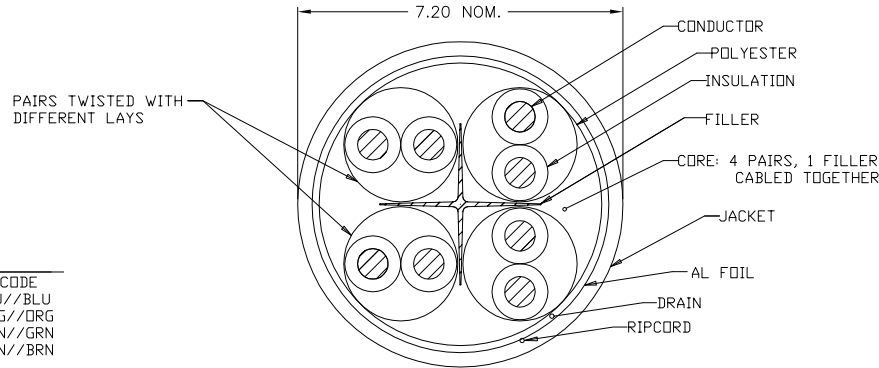


THIS DRAWING IS UNPUBLISHED. RELEASED FOR PUBLICATION. ALL RIGHTS RESERVED.

LOC	DIST	REVISIONS					
ES	00	P	LTR	DESCRIPTION	DATE	DWN	APVD
		G		ECR-13-000668	27DEC2013	CL	AZ

FREQUENCY (MHz)	ATTENUATION (db/100m)	NEXT (db, wDRST PR)	PSNEXT (db)	ELFEXT (db, wDRST PR)	PSELFEXT (db)	DELAY (ns/100m)	RL (db)	IMPEDANCE (ohms)	ACR (db)
	MAXIMUM	MINIMUM	MINIMUM	MINIMUM	MINIMUM	MAXIMUM	MINIMUM		MINIMUM
4	3.7	65.3	63.3	55.8	52.8	552	23.0	100±15	61
8	5.2	60.8	58.8	49.7	46.7	547	24.5	100±15	55
10	5.9	59.3	57.3	47.8	44.8	545	25.0	100±15	53
16	7.4	56.2	54.2	43.7	40.7	543	25.0	100±15	49
20	8.3	54.8	52.8	41.8	38.8	542	25.0	100±15	46
25	9.3	53.3	51.3	39.8	36.8	541	24.3	100±15	44
31.25	10.4	51.9	49.9	37.9	34.9	540	23.6	100±15	41
62.5	14.9	47.4	45.4	31.9	28.9	539	21.5	100±15	32
100	19.0	44.3	42.3	27.8	24.8	538	20.1	100±22	24
150	23.6	41.7	39.7	24.3	21.3	537	18.9	100±22	16.8
200	27.5	39.8	37.8	21.8	18.8	537	18.0	100±22	10.6
250	31.0	38.3	36.3	19.8	16.8	536	17.3	100±25	5.3
300	34.2	37.1	35.1	18.3	15.3	536	16.8	100±25	-
500	45.3	33.8	31.8	13.8	10.8	536	15.2	100±25	-

FOR ENGINEERING PURPOSES ONLY, ALL MEASUREMENTS ARE SWEEPED OVER THE FREQUENCY RANGE OF INTEREST.



PAIR	COLOR CODE
1	WHT/BLU//BLU
2	WHT/DRG//DRG
3	WHT/GRN//GRN
4	WHT/BRN//BRN

- 1. LENGTH SEQUENCE IS RETURNED TO ZERO FOR EACH LENGTH LENGTH MEASUREMENT ACCURACY TO BE ±1%
- 2. MATERIALS ARE SELECTED BASED ON THEIR ABILITY TO CONFORM TO UL 444 AND TIA 568 LATEST ISSUES.
- 3. XX=JACKT COLOR, BL=BLUE, WT=WHITE, GY=SLATE GRAY, GN=GREEN, YL=YELLOW, OR=ORANGE, RD=RED, VT=VIOLET, BK=BLACK, PK=PINK, LB=LIGHT BLUE, LG=LIGHT GREEN; JACKET COLOR SHALL BE IN ACCORDANCE WITH EIA-359-A WIRE AND CABLE LIMITS OR TE CONNECTIVITY SUPPLIED COLOR STANDARD
- 4. PRINT COLOR SHALL BE BLACK EXCEPT WHITE ON BLACK JACKET
- 5. PRINT DURABILITY SHALL BE PER UL 444
- 6. GOVERNING SPECIFICATIONS - LATEST REVISIONS
TIA 568
NEC 800
UL 444
- 7. FOR BRAZIL, DIFFERENT LEGEND ON THE JACKET.
"ANATEL 0038-11-2848" IS BRAZIL ANATEL CERTIFICATE NUMBER.
"NBR 14703" IS BRAZILIAN STANDARD NUMBER FOR CABLE

TE CONNECTIVITY 640 SERIES CAT6A [abcd] E138034 CM (UL) C(UL) 4PR 23AWG F/UTP 75C [length] METER YYWW [tracking number]
LEGEND TO BE REPEATED EVERY METER

TE CONNECTIVITY 640 SERIES CAT6A [abcd] E138034 CM (UL) ANATEL 0038-11-2848 NBR 14703 4PR 23AWG F/UTP 75C [length] METER YYWW [tracking number]
LEGEND TO BE REPEATED EVERY METER

CATALOG NUMBER	PACKAGING	MATERIAL NUMBER
TE640MF-XXM2-AP	305M REEL	PER 1859621
TE640MF-XXM3-AP	500M REEL	PER 1859621
TE640MF-WTM2-BR	305M REEL	5-1859222-2
TE640MF-GYM2-BR	305M REEL	5-1859222-4
TE640MF-BLM2-BR	305M REEL	5-1859222-6

THIS DRAWING IS A CONTROLLED DOCUMENT.		DWN CONG LI 27DEC2013 CHK ZOHAR ZHANG 27DEC2013 APVD ADAM ZHU 27DEC2013	TE Connectivity	
DIMENSIONS: mm TOLERANCES UNLESS OTHERWISE SPECIFIED: 0 PLC ± - 1 PLC ± - 2 PLC ± - 3 PLC ± - 4 PLC ± - MATERIAL ANGLE/FINISH		NAME CABLE, CATEGORY 6A, 4F/UTP, 23AWG, CM SIZE CAGE CODE DRAWING NO RESTRICTED TO A2 00779 C=1859222 -		
CUSTOMER DRAWING		SCALE	SHEET 1 of 1	REV G