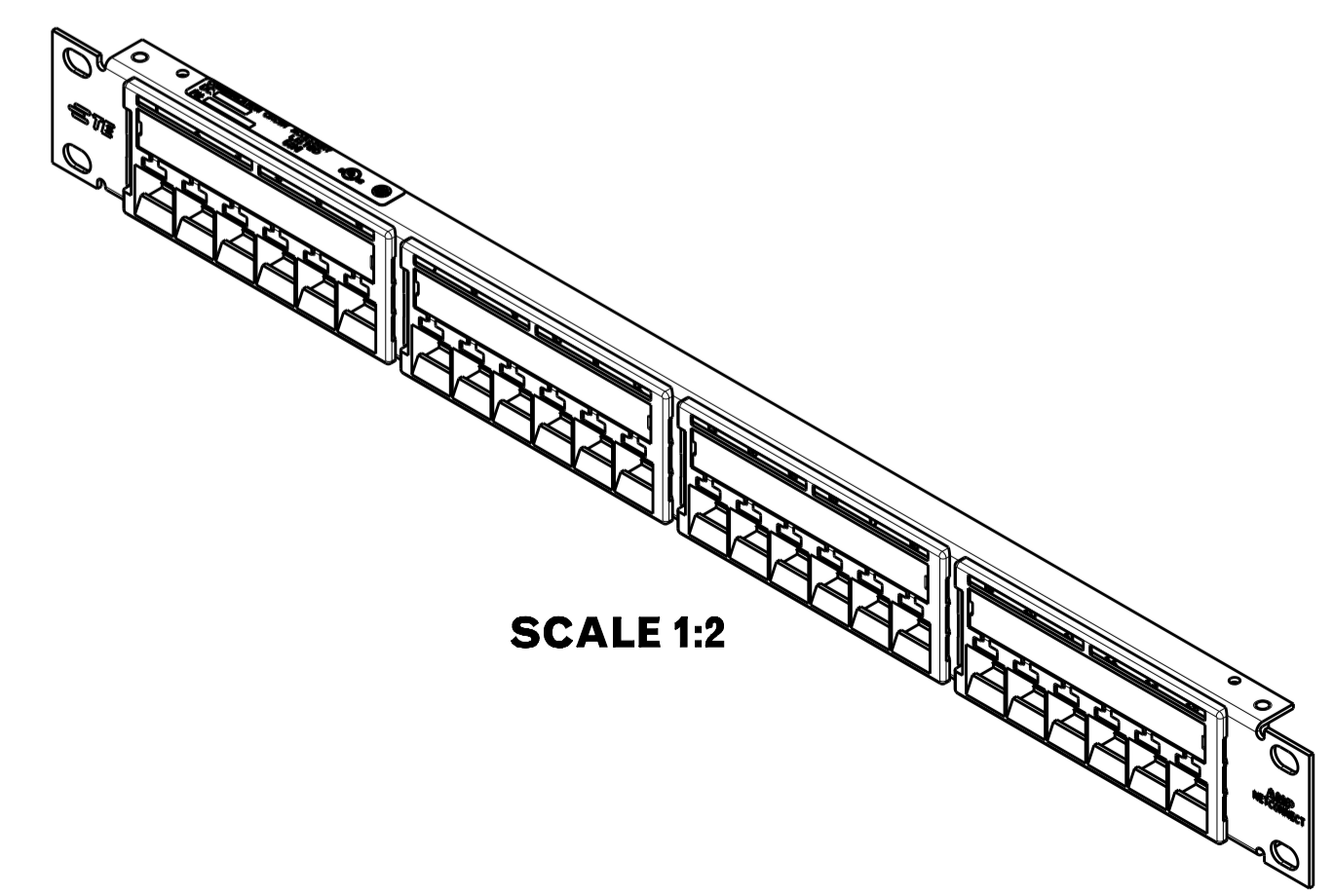
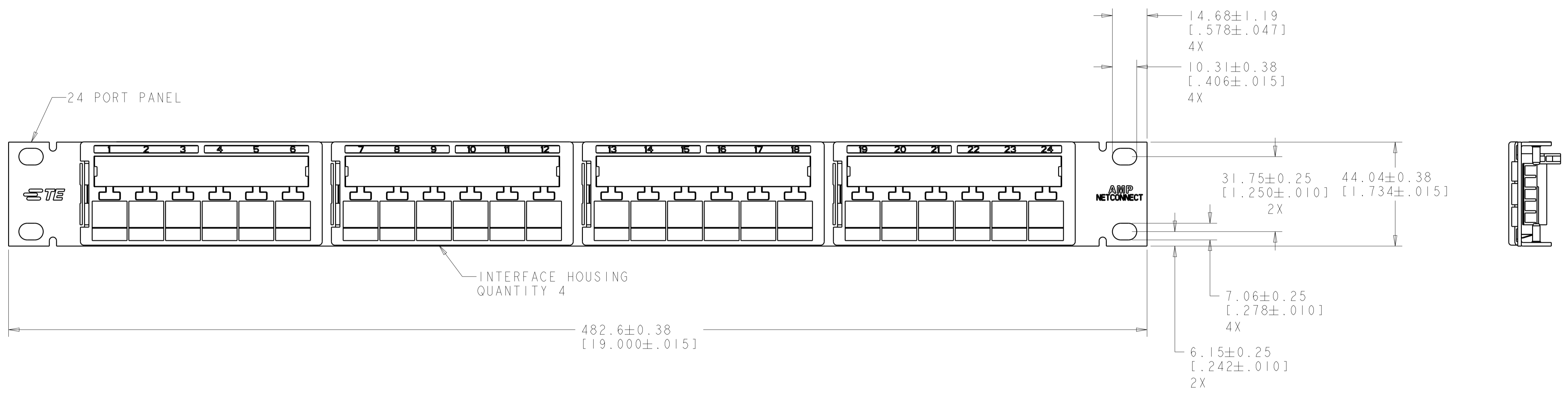
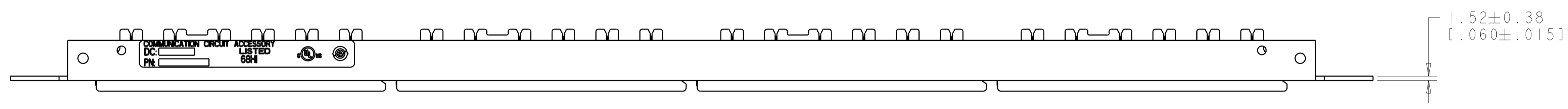


LOC		DIST		REVISIONS				
HM	00	P	LTN	DESCRIPTION	DATE	DWN	APVD	
		D		REV: ECO-12-019768	20NOV2012	GG	SH	

- △ MATERIAL:
 CONNECTOR HOUSING, INTERFACE: POLYESTER MOLDING COMPOUND, BLACK.
 PANEL: BLACK POWDER COAT STEEL WITH WHITE MARKINGS.
 AMPTRAC CONTACT : PHOS BRONZE.
2. FOUR BLACK 12-24 X 12.7 [.500] LONG AND FOUR 10-32 X 12.7 [.500] LONG CARBON STEEL CROSS RECESSED SCREWS FOR MOUNTING OF PANEL, SHIPPED LOOSE. NOT SHOWN ON DRAWING.



1933323-1
PART NUMBER

THIS DRAWING IS A CONTROLLED DOCUMENT.		DWN: J MCNEAL 24MAY2007	TE Connectivity
DIMENSIONS: MM [INCHES]		CHK: S HERNDON 24MAY2007	
TOLERANCES UNLESS OTHERWISE SPECIFIED:		APVD: S HERNDON 24MAY2007	NAME: KIT, PATCH PANEL, AMPTRAC I/O, 24 PORT, MULTIMEDIA, FLAT
0 PLC ±	1 PLC ±	2 PLC ±	3 PLC ±
4 PLC ±	ANGLES ±	FINISH ±	RESTRICTED TO
MATERIAL: △	FINISH: △	WEIGHT: -	SIZE: A100779
CUSTOMER DRAWING		SCALE: 1:1	SHEET 1 OF 1