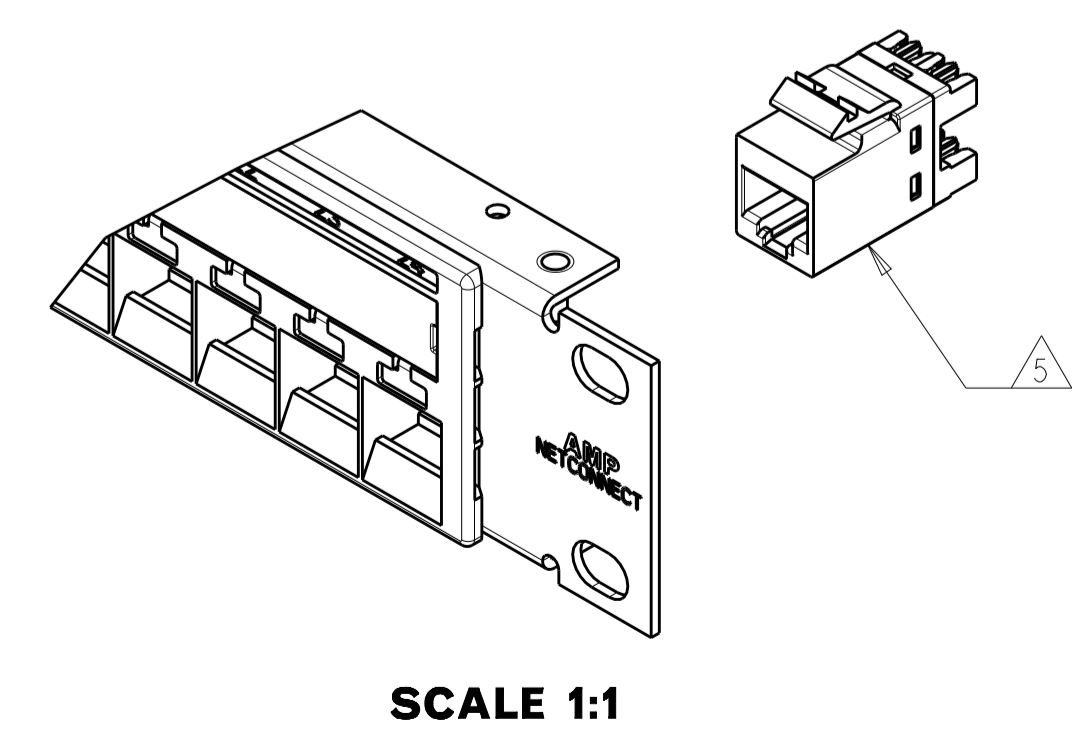
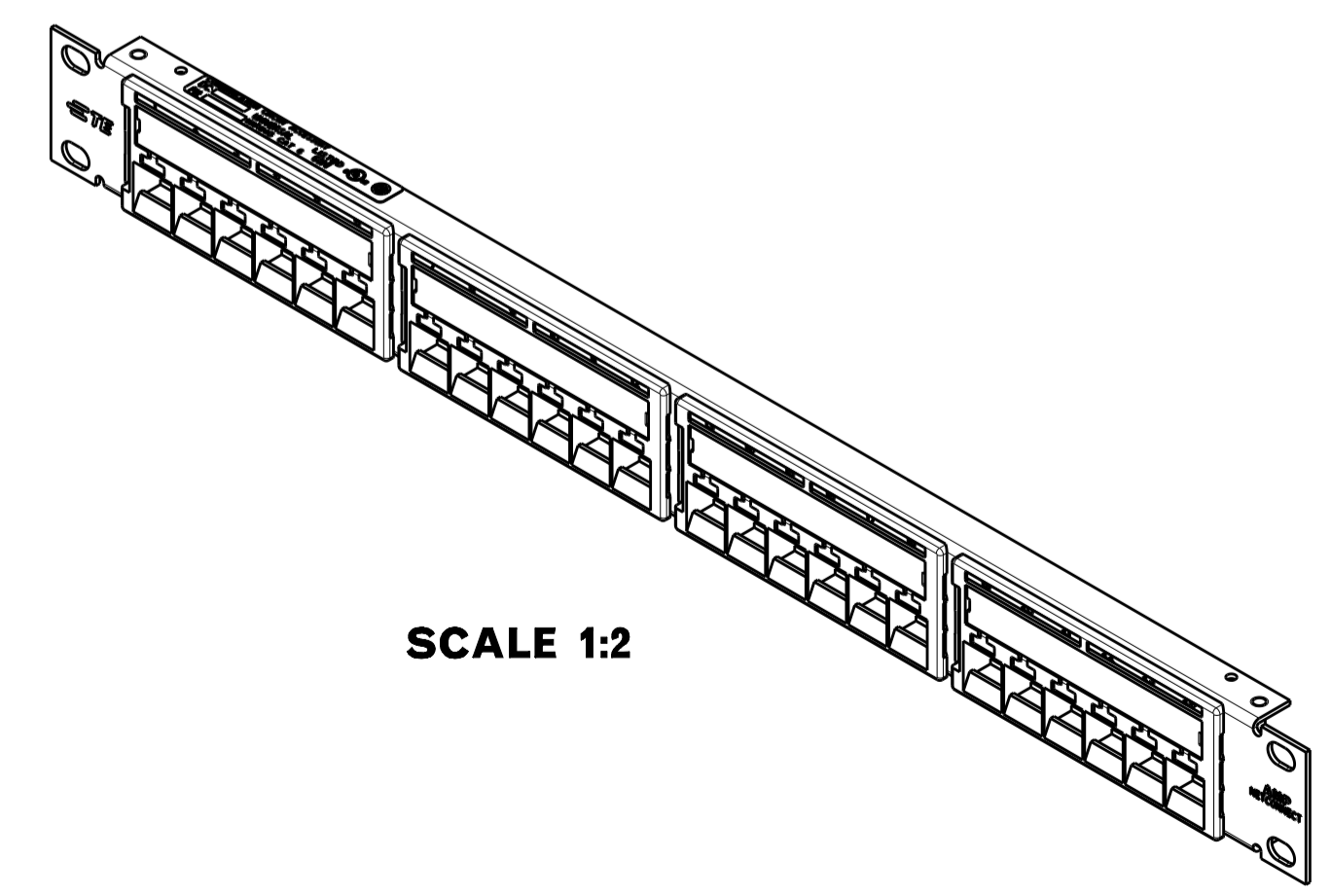
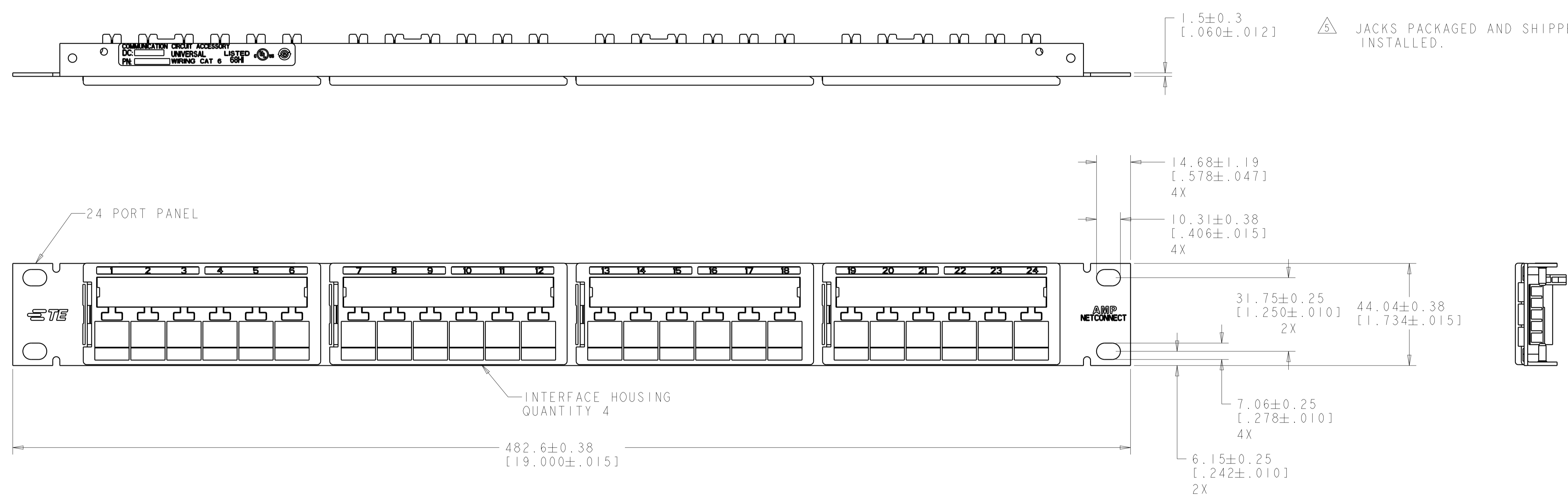


LOC		DIST		REVISIONS			
P	LTN	DESCRIPTION	DATE	DWN	APVD		
F		REV: ECO-12-019768	19NOV2012	GG	SH		

- △ MATERIAL:  
 CONNECTOR HOUSING, INTERFACE: POLYESTER MOLDING COMPOUND, BLACK.  
 PANEL: BLACK POWDER COAT STEEL WITH WHITE MARKINGS.
- FOUR BLACK 12-24 X 12.7 [ .500] LONG AND FOUR 10-32 X 12.7 [ .500] LONG CARBON STEEL CROSS RECESSED SCREWS FOR MOUNTING OF PANEL, SHIPPED LOOSE. NOT SHOWN ON DRAWING.
  - FOUR RELEASEABLE CABLE TIES USED FOR CABLE ORGANIZATION/ROUTING ARE SHIPPED LOOSE. NOT SHOWN ON DRAWING.
  - ONE BAG OF STRAIN RELIEFS SHIPPED LOOSE. NOT SHOWN ON DRAWING.
- △ JACKS PACKAGED AND SHIPPED LOOSE. TO BE FIELD INSTALLED.



1933327-1  
 PART NUMBER

THIS DRAWING IS A CONTROLLED DOCUMENT.		DWN: J. MCNEAL ZIMAY2007	TE Connectivity	
DIMENSIONS: MM [ INCHES]		CHK: S. HERNDON ZIMAY2007		
TOLERANCES UNLESS OTHERWISE SPECIFIED:		APVD: S. HERNDON ZIMAY2007	NAME: KIT, PATCH PANEL, AMPTRAC IU, 24 PORT, CAT6 SL, FLAT	
0 PLC ±	1 PLC ±	PRODUCT SPEC	SIZE: CAGE CODE DRAWING NO. RESTRICTED TO	
2 PLC ±	3 PLC ±	APPLICATION SPEC	A100779 ©=1933327	
4 PLC ±	ANGLES ±	WEIGHT	SCALE: 1:2 SHEET 1 OF 1 REV F	
MATERIAL: △	FINISH: △	CUSTOMER DRAWING		