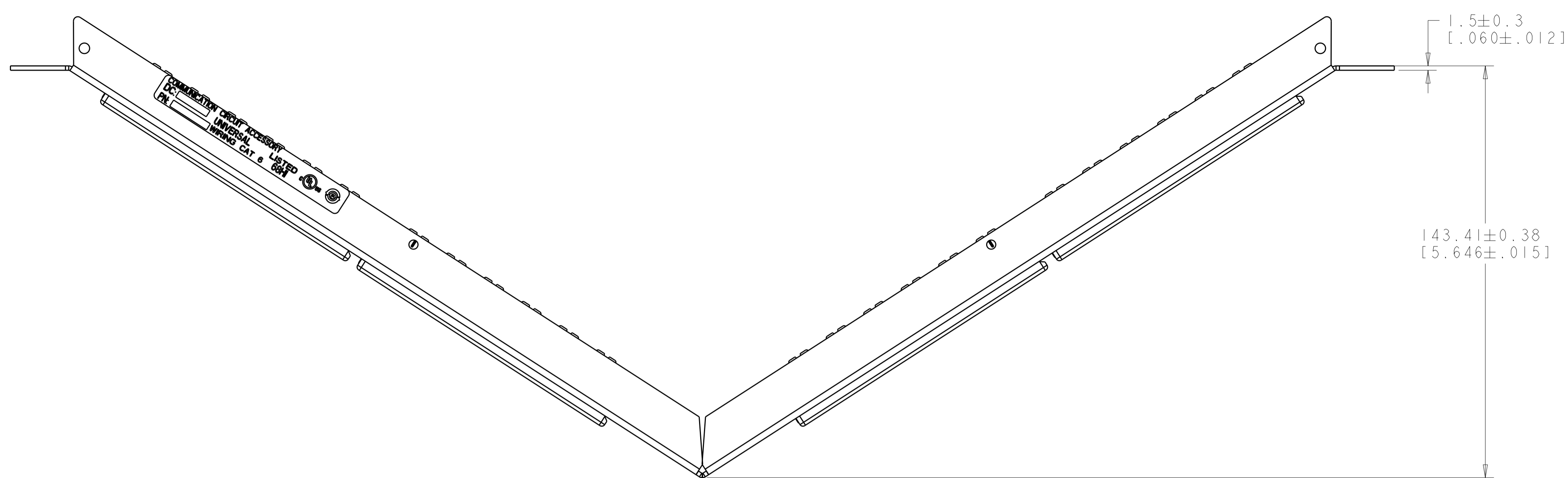
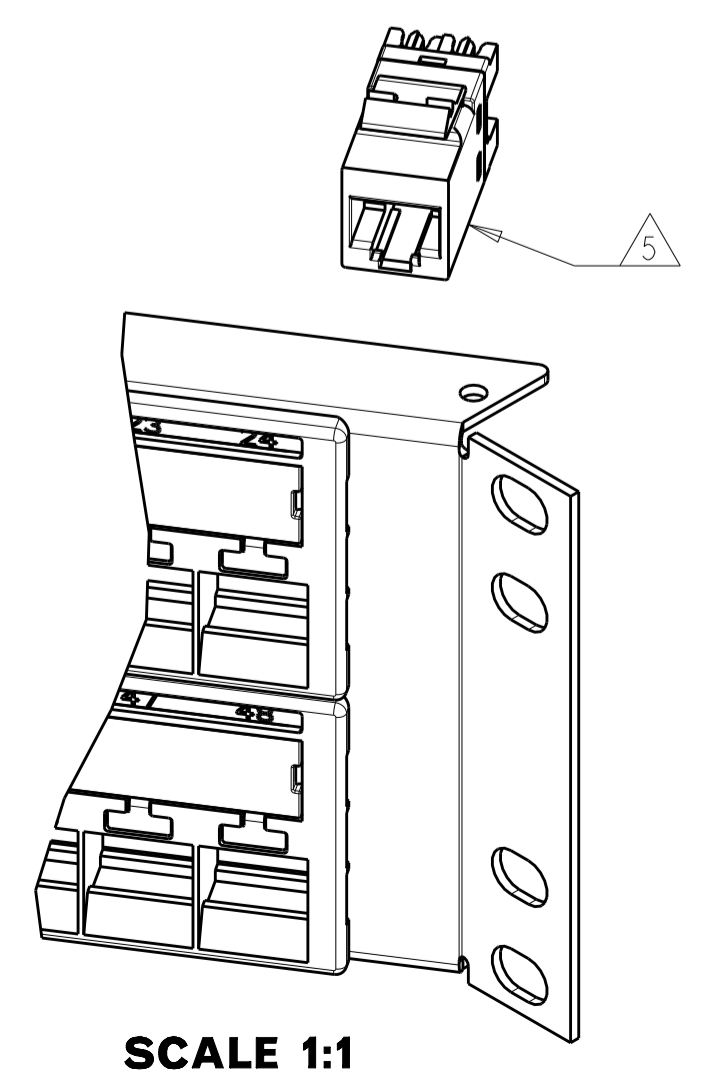
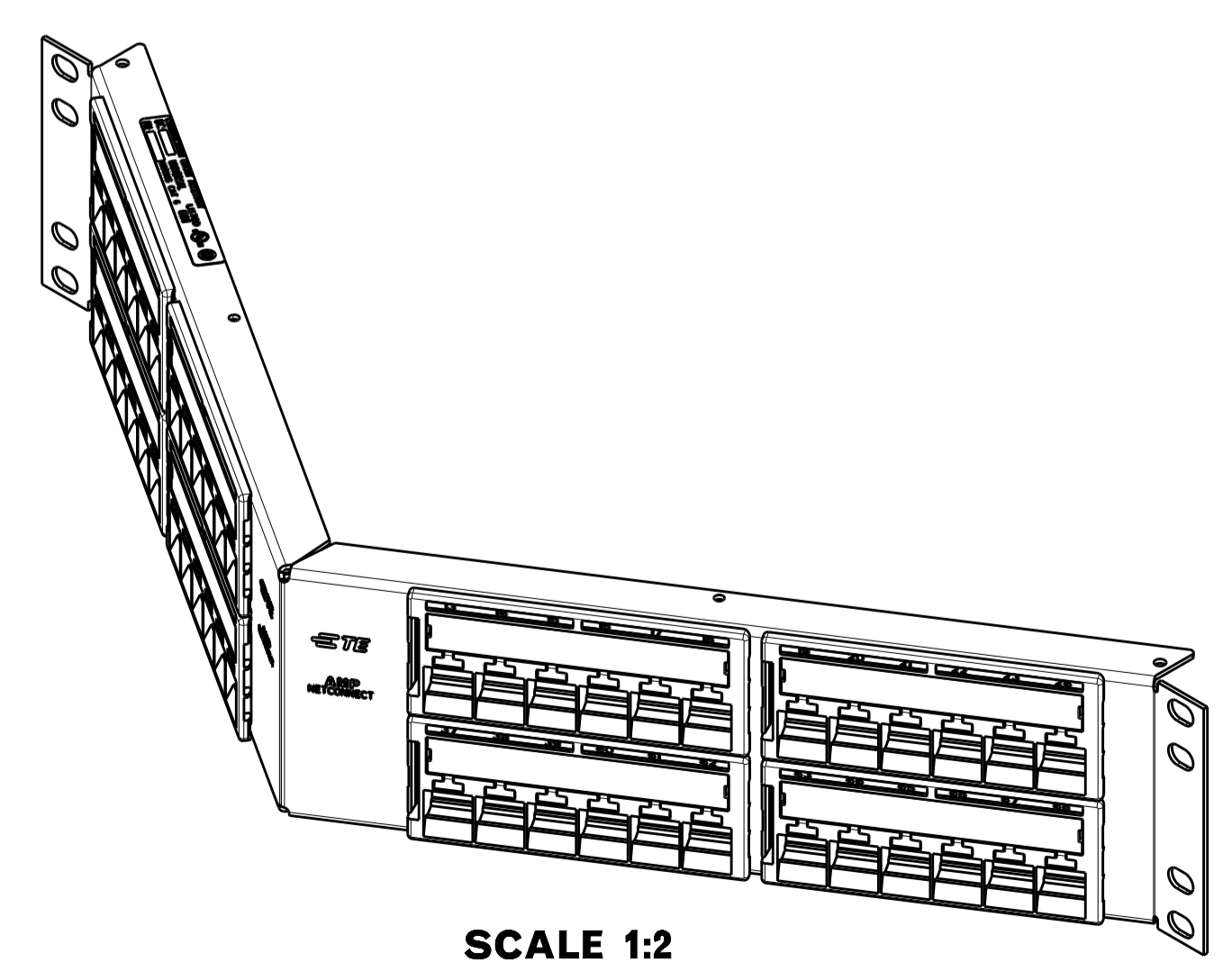
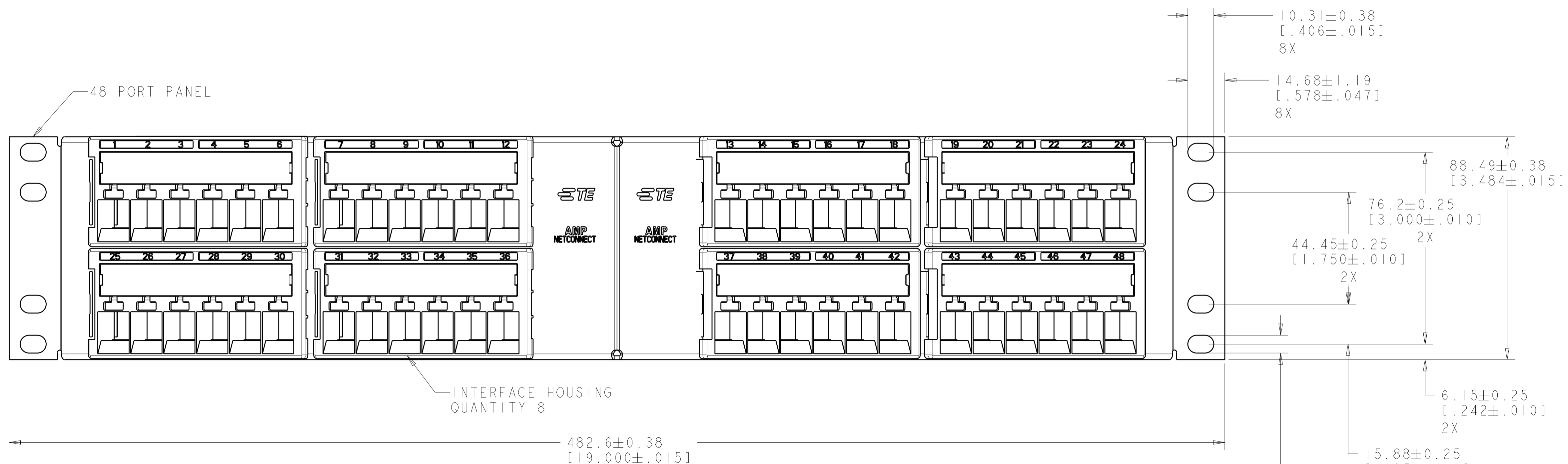


LOC	DIST	REVISIONS					
		P	LTN	DESCRIPTION	DATE	DWN	APVD
		D		REV: ECO-12-019768	20NOV2012	GG	SH



- △ MATERIAL:  
CONNECTOR HOUSING, INTERFACE: POLYESTER MOLDING COMPOUND, BLACK.  
PANEL: BLACK POWDER COAT STEEL WITH WHITE MARKINGS.
- FOUR BLACK 12-24 X 12.7 [.500] LONG AND FOUR 10-32 X 12.7 [.500] LONG CARBON STEEL CROSS RECESSED SCREWS FOR MOUNTING OF PANEL, SHIPPED LOOSE. NOT SHOWN ON DRAWING.
  - EIGHT RELEASEABLE CABLE TIES USED FOR CABLE ORGANIZATION/ROUTING ARE SHIPPED LOOSE. NOT SHOWN ON DRAWING.
  - TWO BAGS OF STRAIN RELIEFS SHIPPED LOOSE. NOT SHOWN ON DRAWING.
- △ JACKS PACKAGED AND SHIPPED LOOSE. TO BE FIELD INSTALLED.



1933330-1  
PART NUMBER

THIS DRAWING IS A CONTROLLED DOCUMENT.		DWN	J. MCNEAL	30MAY2007	 TE Connectivity	NAME KIT, PATCH PANEL, AMPTRAC 2U, 48 PORT, CAT6 SL, ANGLED					
DIMENSIONS: MM [INCHES]		CHK	S. HERNDON	30MAY2007							
TOLERANCES UNLESS OTHERWISE SPECIFIED:		APVD	S. HERNDON	30MAY2007							
0 PLC ± 1 PLC ± 2 PLC ± 3 PLC ± 4 PLC ± ANGLES ±		PRODUCT SPEC									
MATERIAL		FINISH	APPLICATION SPEC SIZE CAGE CODE DRAWING NO WEIGHT CUSTOMER DRAWING		RESTRICTED TO						
		A100779C=1933330		SCALE	1:2	SHEET	1	OF	1	REV	D