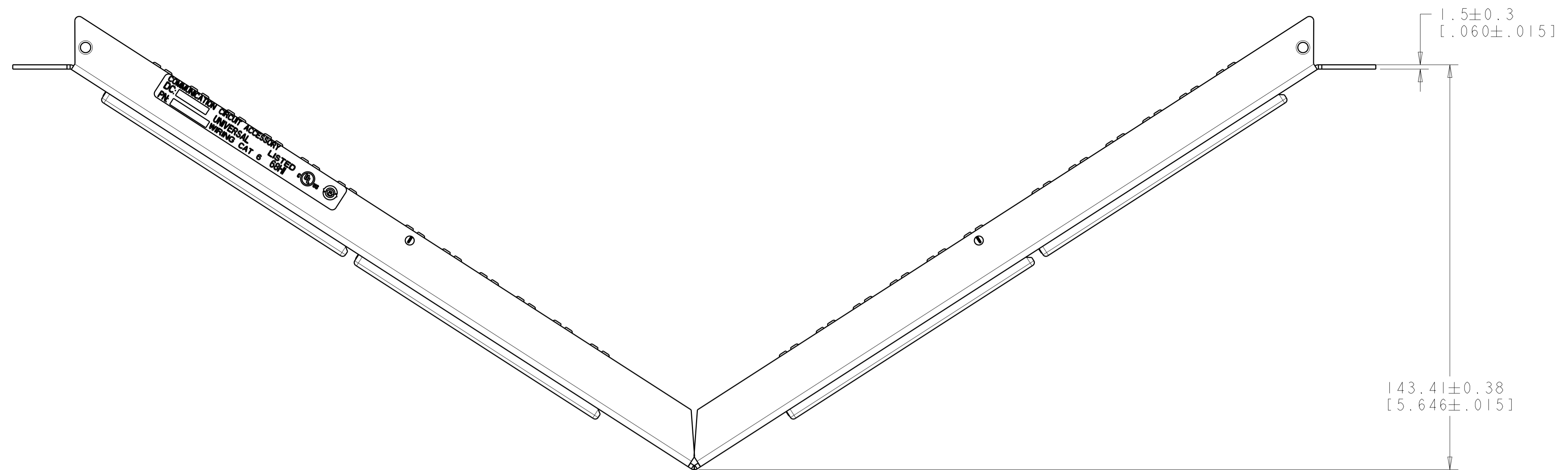
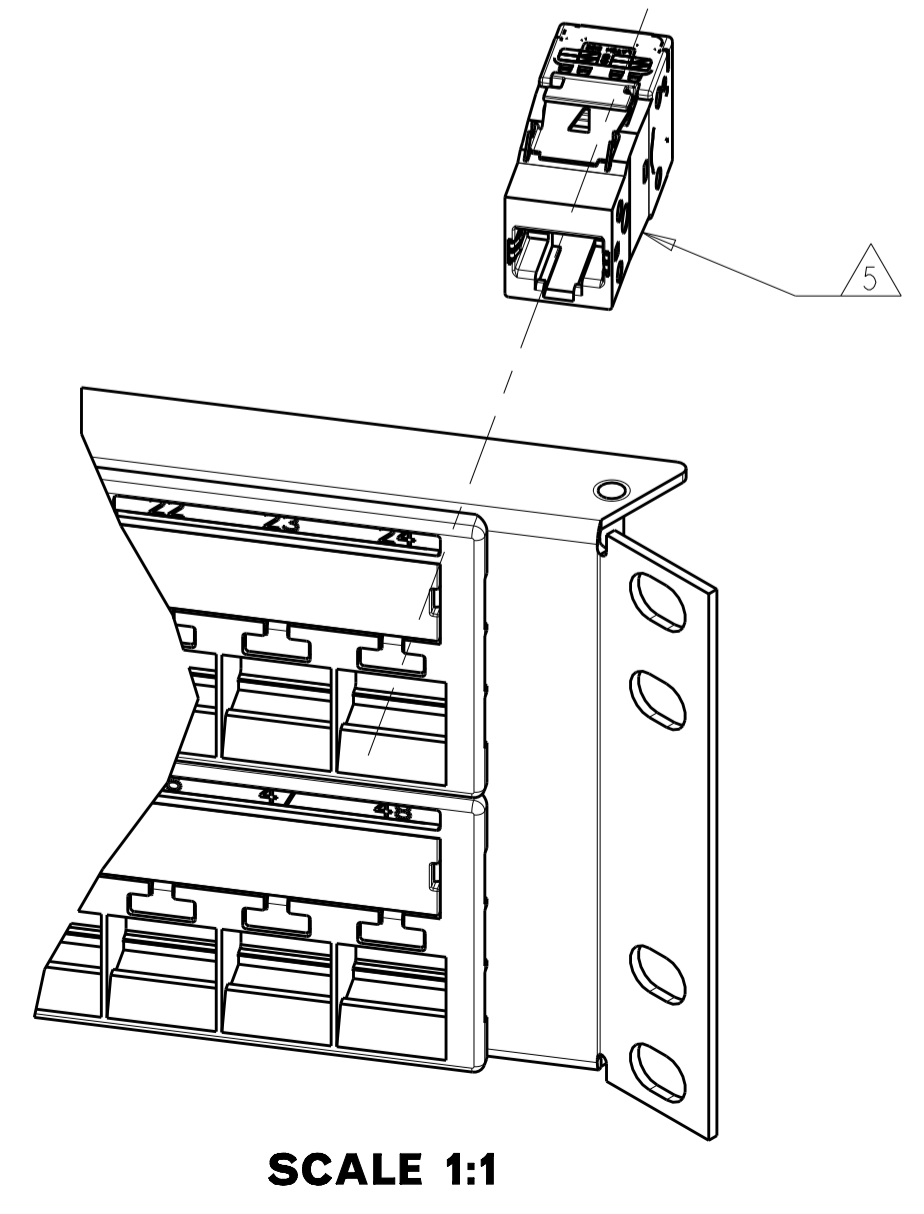
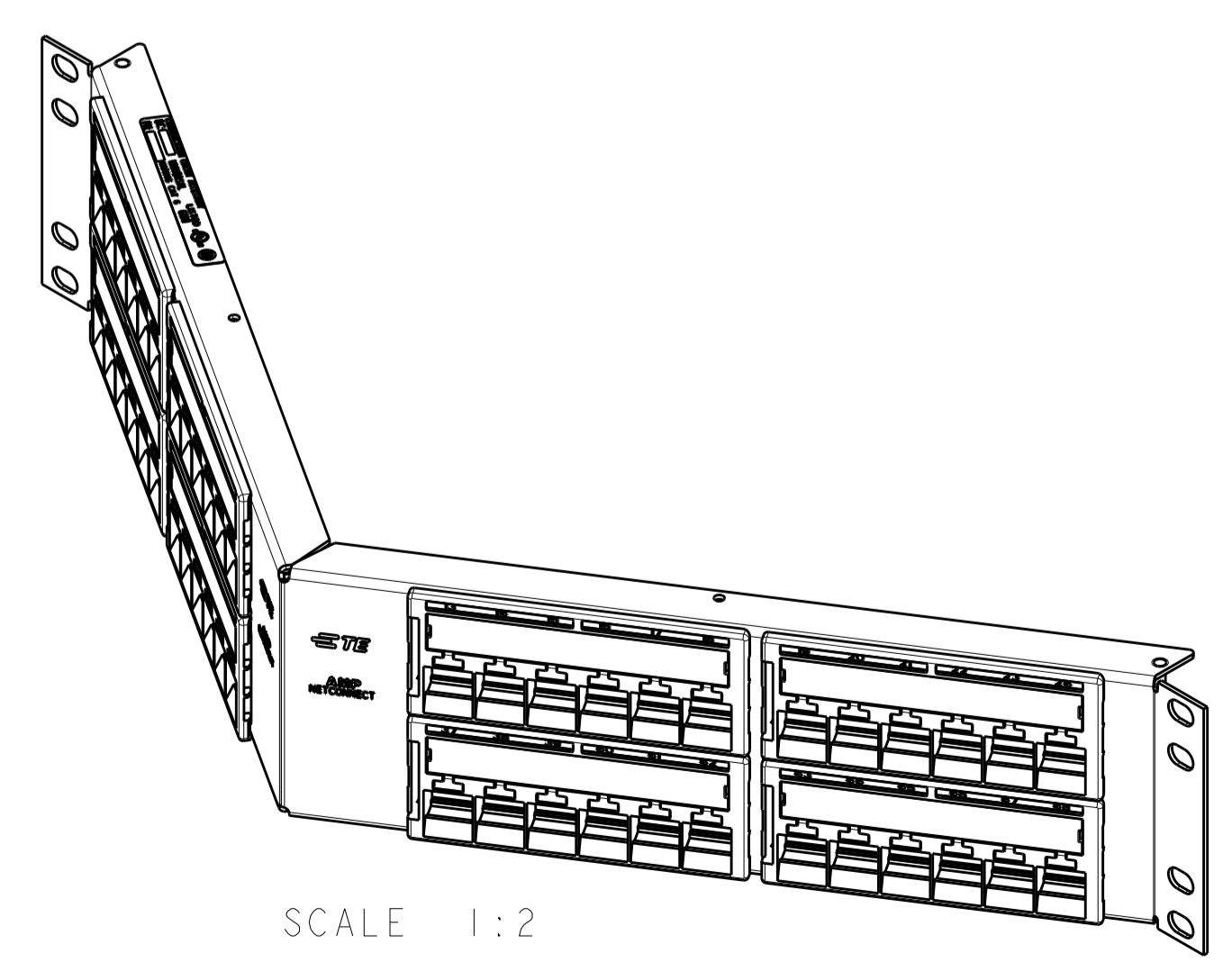
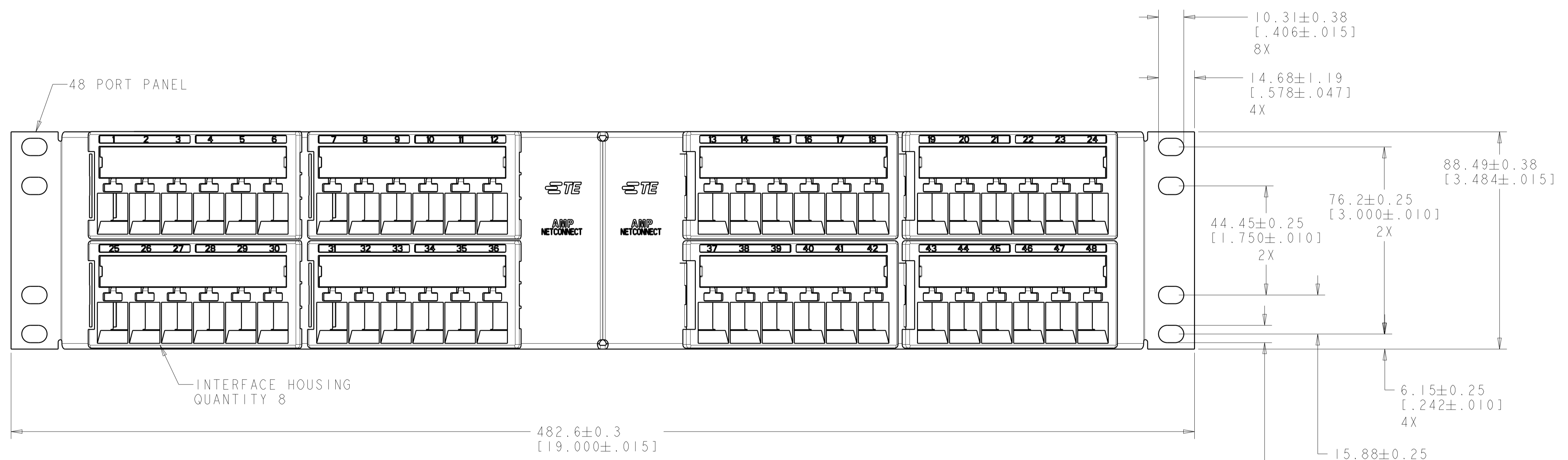


LOC	DIST	REVISIONS					
HM	00	P	LTN	DESCRIPTION	DATE	DWN	APVD
		D		REV: ECO-12-019768	19NOV2012	GG	SH



- △ MATERIAL:
CONNECTOR HOUSING, INTERFACE: POLYESTER MOLDING COMPOUND, BLACK.
PANEL: BLACK POWDER COAT STEEL WITH WHITE MARKINGS.
- FOUR BLACK 12-24 X 12.7 [.500] LONG AND FOUR 10-32 X 12.7 [.500] LONG CARBON STEEL CROSS RECESSED SCREWS FOR MOUNTING OF PANEL, SHIPPED LOOSE. NOT SHOWN ON DRAWING.
 - EIGHT RELEASEABLE CABLE TIES USED FOR CABLE ORGANIZATION/ROUTING ARE SHIPPED LOOSE. NOT SHOWN ON DRAWING.
 - TWO BAGS OF STRAIN RELIEFS SHIPPED LOOSE. NOT SHOWN ON DRAWING.
- △ JACKS PACKAGED AND SHIPPED LOOSE. TO BE FIELD INSTALLED.



1933334-1
PART NUMBER

THIS DRAWING IS A CONTROLLED DOCUMENT.		DWN J MCNEAL 01JUN2007	 TE Connectivity
DIMENSIONS: MM [INCHES]		CHK S HERNDON 01JUN2007	
TOLERANCES UNLESS OTHERWISE SPECIFIED:		APVD S HERNDON 01JUN2007	
0 PLC ± 1 PLC ± 2 PLC ± 3 PLC ± 4 PLC ± ANGLES ±		NAME KIT, PATCH PANEL, AMPTRAC 2U, 48 PORT, XG, SHIELDED, ANGLED	
MATERIAL		SIZE CAGE CODE DRAWING NO	RESTRICTED TO
FINISH		WEIGHT	A100779C=1933334
Customer Drawing		SCALE 1:2	SHEET 1 OF 1 REV D