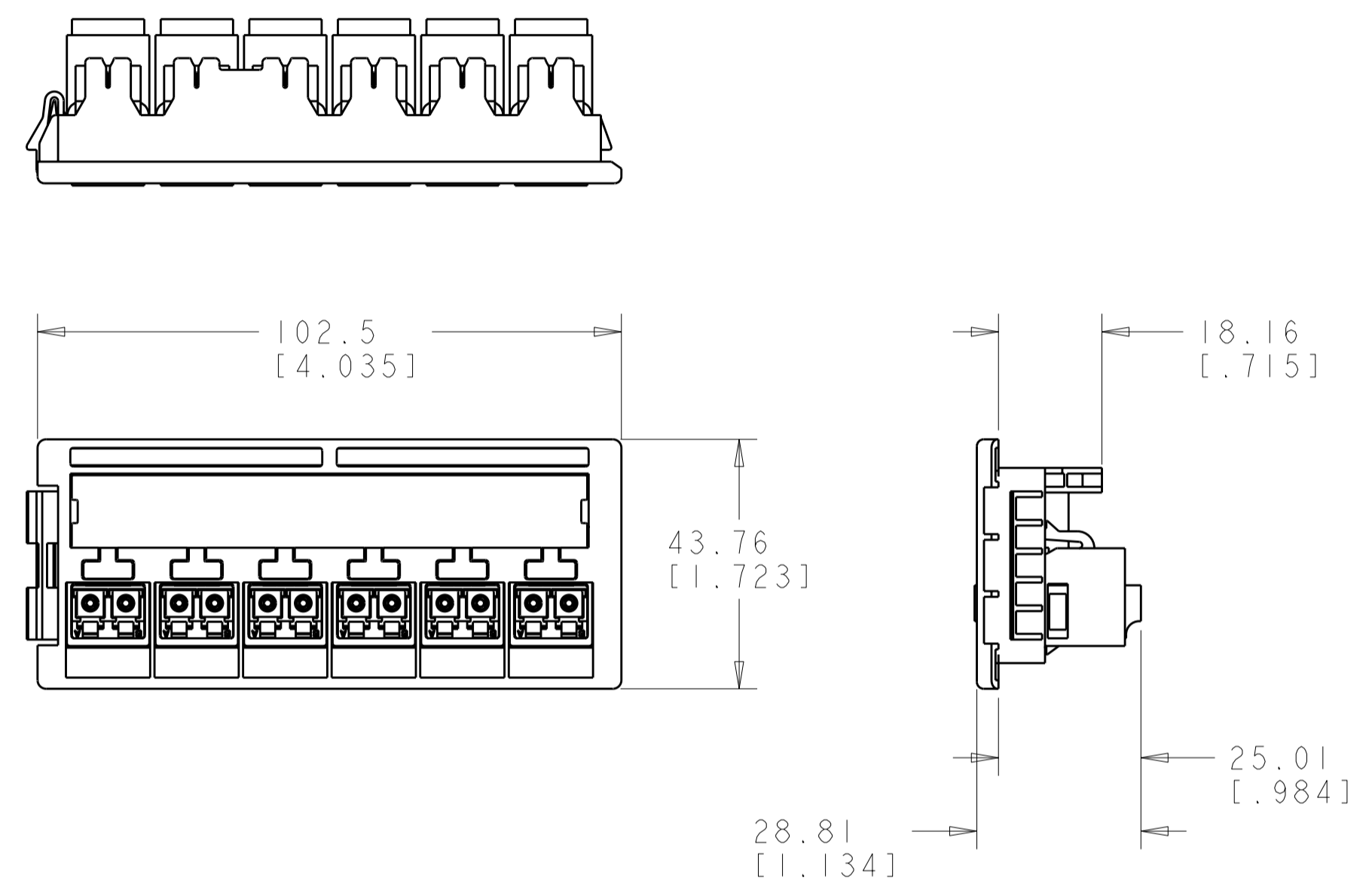
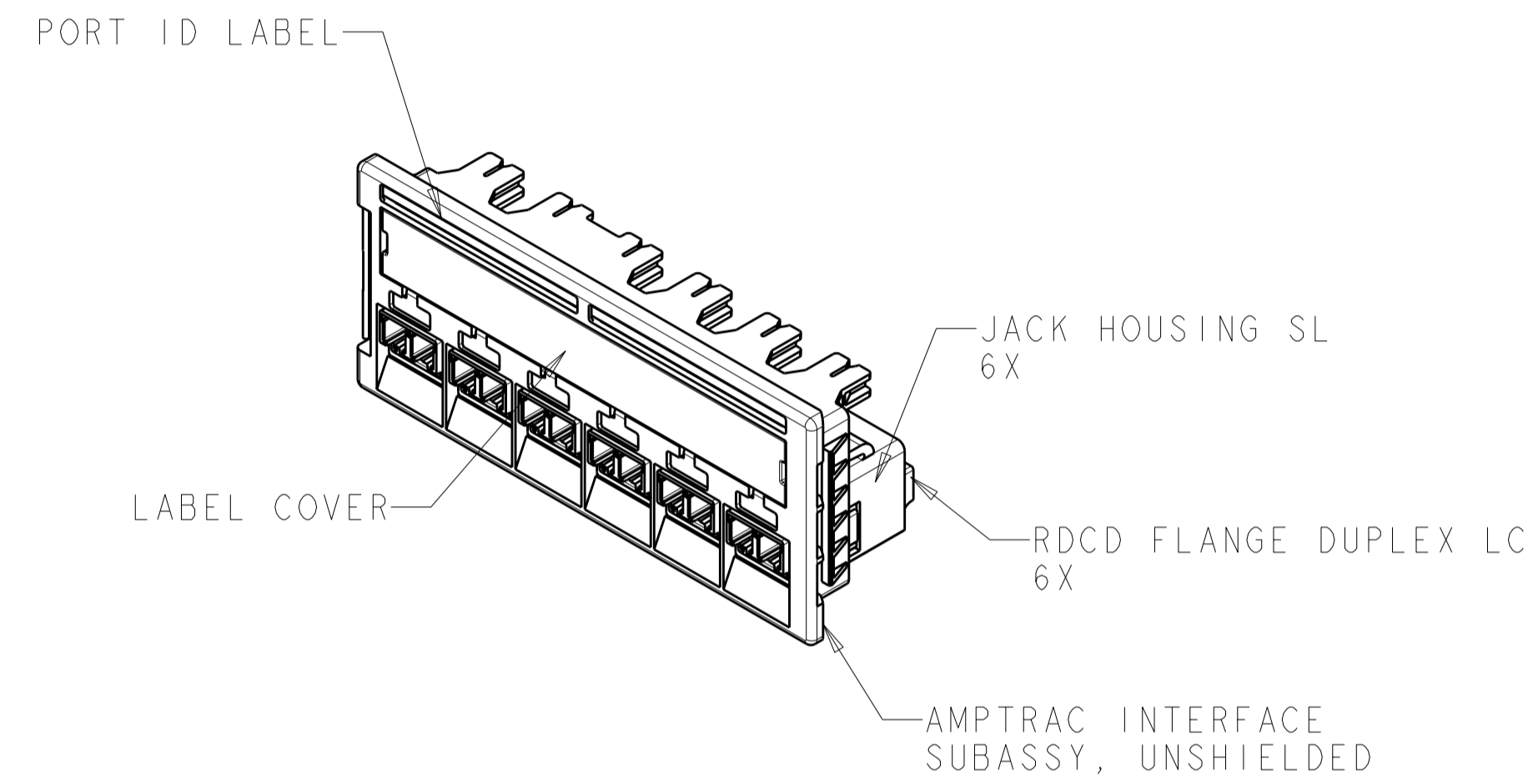


THIS DRAWING IS UNPUBLISHED. RELEASED FOR PUBLICATION 20  
 © COPYRIGHT 20 BY TYCO ELECTRONICS CORPORATION. ALL RIGHTS RESERVED.

LOC	DIST	REVISIONS			
P	LTR	DESCRIPTION	DATE	DWN	APVD
HM	00	A	NSD07-081	03OCT2007	JM SH
		B	REV ECO-09-017215	24JUL2009	LH DC
		C	OBS REV ECO-10-004238	31AUG2010	LH DC
		D	RE-ACTIVATE, REV ECO-10-018860	15SEP2010	LH DC

I LABELS AND LABEL COVERS SHIPPED LOOSE.



GREEN	1933420-4
BLUE	1933420-3
AQUA	1933420-2
<del>ALMOND</del>	<del>1933420-1</del>
JACK HOUSING COLOR	PART NO

**OBSELETE**

<small>THIS DRAWING IS A CONTROLLED DOCUMENT FOR TYCO ELECTRONICS CORPORATION. IT IS SUBJECT TO CHANGE AND THE CONTROLLING ENGINEERING ORGANIZATION SHOULD BE CONTACTED FOR THE LATEST REVISION.</small>		DWN J. MCNEAL 03OCT2007 CHK S. HERNDON 03OCT2007 APVD T. BEAM 03OCT2007	Tyco Electronics Harrisburg, PA 17105-3608
DIMENSIONS: INCHES 	TOLERANCES UNLESS OTHERWISE SPECIFIED: 0 PLC ± 1 PLC ± 2 PLC ± 3 PLC ± 4 PLC ± ANGLES ± FINISH	PRODUCT SPEC APPLICATION SPEC WEIGHT CUSTOMER DRAWING	NAME AMPTRAC DUPLEX LC SIZE A2 CAGE CODE 00779 DRAWING NO C-1933420 RESTRICTED TO
MATERIAL -		SCALE 1:1 SHEET 1 OF 1 REV D	