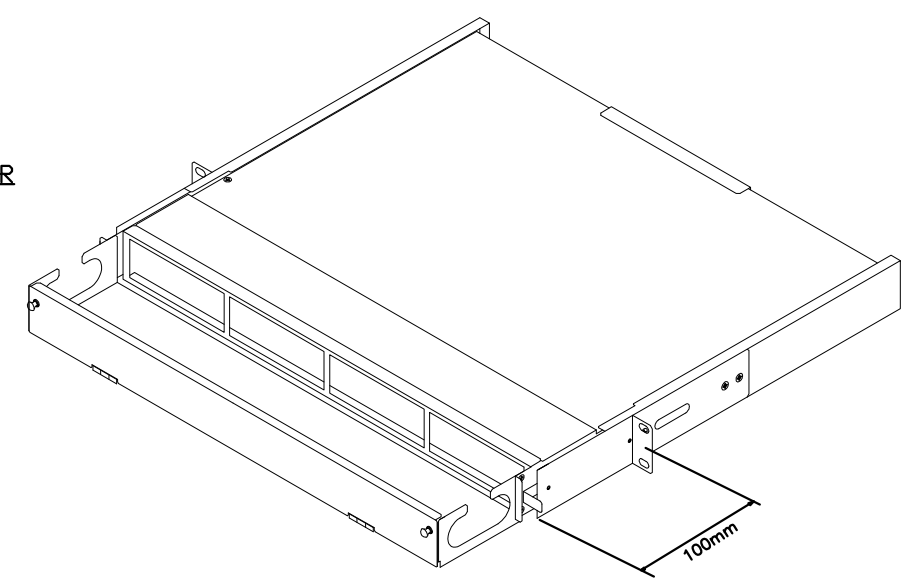
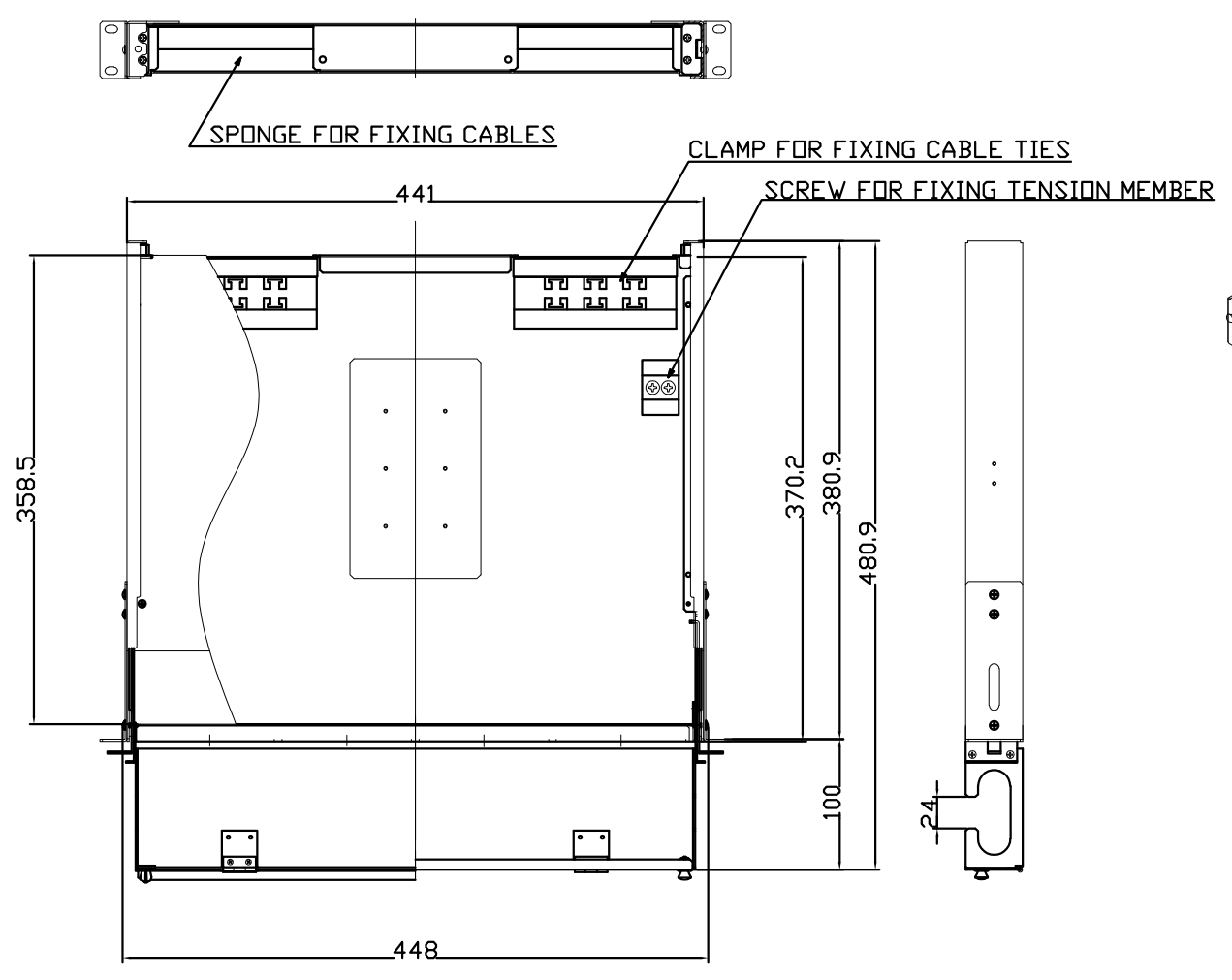
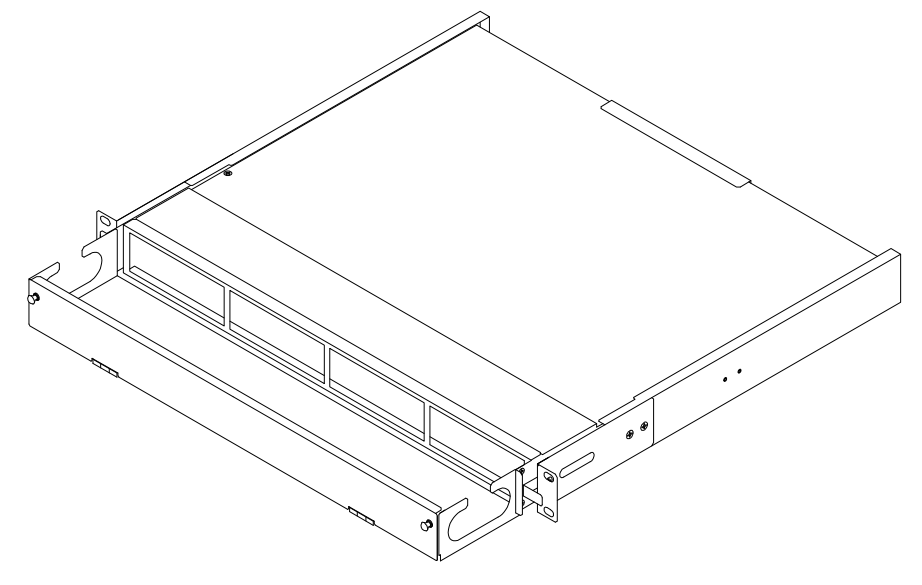


THIS DRAWING IS UNPUBLISHED. RELEASED FOR PUBLICATION  
 © COPYRIGHT - By - ALL RIGHTS RESERVED.

LOC	DIST	REVISIONS			
P	LTR	DESCRIPTION	DATE	DWN	APVD
J	-	A	RELEASED	23MAR2011	C.C K.K

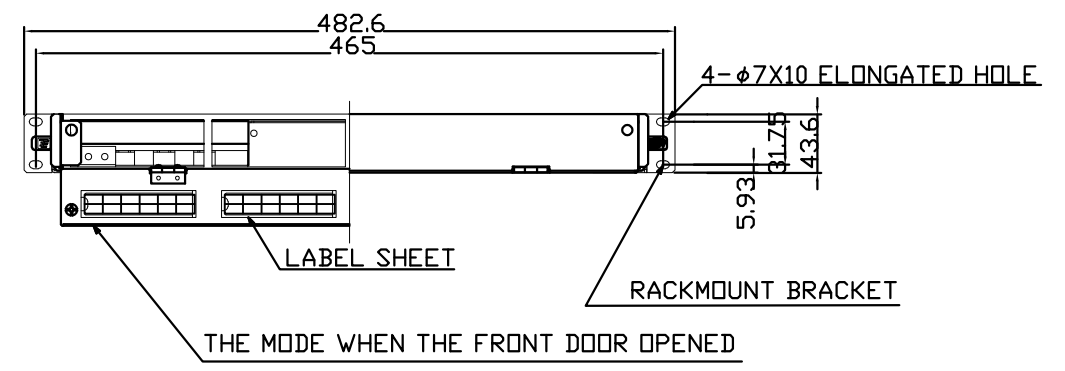


OPTIONAL POSITION OF RACKMOUNT BRACKET



ORIGINAL POSITION OF RACKMOUNT BRACKET WHEN SHIPPED

- NOTE
- 1 MATERIAL  
STEEL, FINISHED BLACK
  - 2 ACCESSORIES  
DECOLLATED SCREW M5-12X4  
TOOTHED WASHER M5X4  
CABLE TIE X6  
CKN CLAMP X4
  - 3 UP TO 4 MPO QUICK-FIT CASSETS  
/QUICK-FIT MODULES ACCEPTED



2134970-1  
 PART NUMBER

THIS DRAWING IS A CONTROLLED DOCUMENT.		DWN C.CHEN	23MAR2011	<b>STE</b> TE Connectivity	
DIMENSIONS: mm		CHK A.YUSHIRO	23MAR2011		
TOLERANCES UNLESS OTHERWISE SPECIFIED:		APVD K.KUROSE	23MAR2011	NAME	
0 PLC ± -		PRODUCT SPEC		QUICK-FIT FO ENCLOSURE 1U	
1 PLC ± -		APPLICATION SPEC		SIZE	CAGE CODE
2 PLC ± -		WEIGHT		A3	00779
3 PLC ± -		CUSTOMER DRAWING		DRAWING NO	
4 PLC ± -		SCALE		G-2134970	
ANGLES ± -		1:1		RESTRICTED TO	
FINISH		SHEET		1 OF 1	
-		REV		A	